



## MXT+™ Hydraulic Torque Wrench

The **MXT+** Hydraulic Torque Wrench from HYTORC combines the best of the original MXT with the latest advances in bolting technology including coaxial reaction drive, auto-release feature and a new cycle counter. The **MXT+** is constructed from higher strength materials for rugged industrial use and highly repeatable performance. The coaxial drive reaction combined with rear reaction feature provides flexibility to configure the tool in the field. Eliminating the need for two separate tools. Compatible with standard sockets and now equipped with coaxial drive technology to support the HYTORC Washer and HYTORC Nut systems. Integrated auto-release and new quick-couplers provide faster job setup and completion. The new cycle counter helps keep tools in calibration, allowing users to schedule preventative maintenance for maximum performance and longer tool life.

### DUAL REACTION



The **MXT+** dual-reaction feature allows the user to configure the wrench for rear reaction arms compatible with the original **MXT**® or newer reaction arms compatible with AVANTI® and ICE® product lines.

### EMBEDDED CYCLE-COUNTER



The **MXT+** has an embedded cycle counter to monitor tool use and schedule preventative maintenance and calibration. This feature helps maintain the tool at peak performance for accurate and repeatable bolting results. By providing preventative maintenance the user can achieve the longest tool life possible.

### AUTO-RELEASE



The **MXT+** Wrench has an integrated auto release feature so the operator doesn't have to flip a lever to un-lock the tool from the application. Simply advance the pump and the tool will free itself making bolting operations faster, safer, and simpler.



**STRONGER. DURABLE. REPEATABLE.**

The MXT+ has been designed with stronger materials that can handle more than 5,000 duty cycles at max torque. This Wrench will outlast all others and provide consistently repeatable performance, even under the harshest conditions.



**QUICK COUPLERS**

New quick-couplers provide faster job setup and completion. No more guessing if your connections are tight. A locking mechanism is included with the couplers to prevent accidental disconnection.



**MORE THAN ALL OTHERS**

1. Drive (Coaxial) Reaction Arm
2. HYTORC Nut Direct Drive
3. HEX Direct Drive
4. ALCO Arm
5. Drive (Coaxial) Reaction Arm Tightening
6. Track Pad Fixture
7. HYTORC Washer Driver
8. Rear Reaction Arm
9. Rear Reaction Sleeve 3" Down
10. Rotatable Reaction Arm

**AND SO MUCH MORE...**

**HY-CARE**



HY-CARE Service Plans\* provide peace of mind protection with a zero deductible plan to protect you from unexpected bolting equipment repair costs and downtime after your standard equipment warranty expires.

\*May not be available in all locations. Please visit [hytorc.com/hy-care](http://hytorc.com/hy-care) or contact your local HYTORC representative for more information.



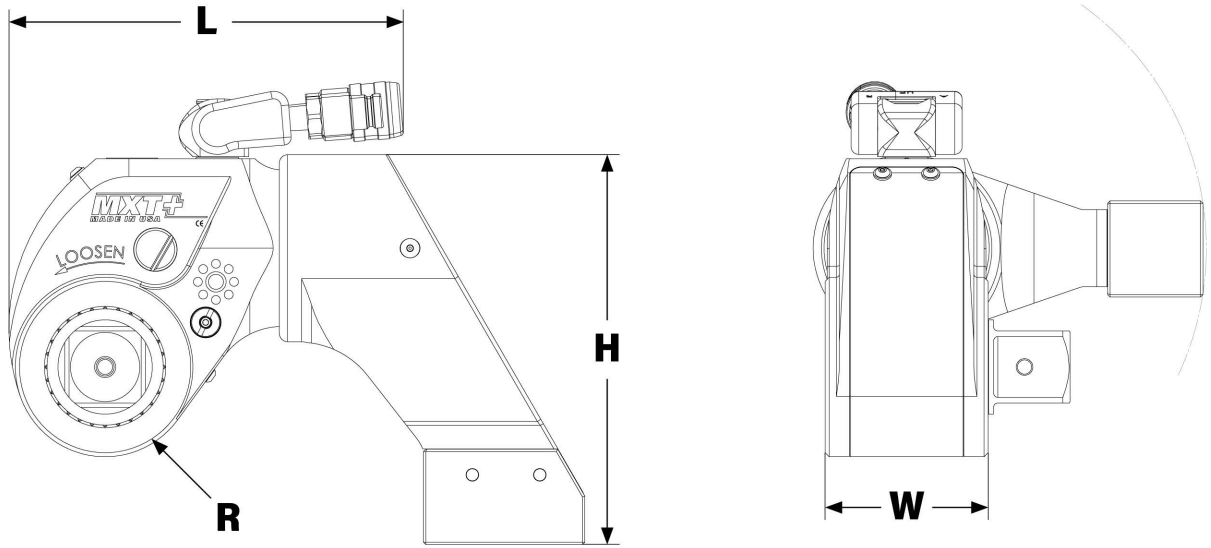
**SPLINE COVER**

A spline cover is supplied with each tool to prevent damage to the tool's rear splines. Applied when using drive reaction systems to protect the rear splines and improve safety. Easy to install or remove.

**ANGLE OF ROTATION**

Both indirect and direct angle of rotation measuring is possible, as while as Yield Control Bolting.





LEGEND: H = HEIGHT W = WIDTH L = LENGTH R = RADIUS

MODEL NUMBER	H	W	L	R	DRIVE	WEIGHT	TORQUE	
IMPERIAL			in.			lbs.	ft-lbs (Min)	ft-lbs (Max)
MXTP - 01	6.38	2.18	5.17	2.60	3/4	6.80	200	1,340
MXTP - 03	8.10	2.90	6.66	1.50	1	7.59	480	3,230
MXTP - 05	9.24	3.38	8.04	1.86	1-1/2	18.50	835	5,590
MXTP - 10	11.69	4.35	10.05	2.38	1-1/2	25.00	1,755	11,520
METRIC			mm		in.	kg	Nm (Min)	Nm (Max)
MXTP - 01	162	55	131	30	3/4	3,08	271	1816
MXTP - 03	206	74	169	38	1	3,44	650	4377
MXTP - 05	235	86	204	47	1-1/2	8,39	1131	7575
MXTP - 10	297	110	255	60	1-1/2	11,33	2478	15610

**COMPLETE KIT CONTENTS**

- MXT+ Hydraulic Wrench
- Choice of Reaction Arm
- Spline Cover
- Storage Case
- Side Handle
- Calibration Certificate
- Operation Manual

**MXTP**

**Model:**

MXT+ Hydraulic Wrench

**Capacity:**

Available: 01, 03, 05, 10

HYTORC owns all content, copyrights, trademarks and patents in this document. © 2021 HYTORC. Any unauthorized use or distribution of any material from this document is strictly prohibited.



**Headquarters:**

333 Route 17 N., Mahwah, NJ 07430  
+1-201-512-9500

**Email:**

info@hytorc.com

**Phone:**

1-800-FOR-HYTORC

**Online:**

hytorc.com