

HYTORC®

Since 1968



SOCKETS



CONTENTS

HYTORC SOCKETS

HYTORC SOCKET OVERVIEW	5
NEW HYTORC SOCKET COATING	7
1/2" DRIVE SOCKETS	8
12PT 1/2" DRIVE SOCKETS	11
3/4" DRIVE SOCKETS	12
12PT 3/4" DRIVE SOCKETS	17
DRIVE SOCKETS	19
12PT 1" DRIVE SOCKETS	24
1 1/2" DRIVE SOCKETS	26
12PT 1 1/2" DRIVE SOCKET	31
2 1/2" DRIVE IMPACT SOCKET	34
3/4" MALE DRIVE SOCKET	39
1" MALE DRIVE SOCKET	40
CONVERSION CHART	41
BOLT LOAD CHART	42
10 COMMANDMENTS OF SOCKET SAFETY	43
HYTORC CUSTOMER SERVICE POLICY	44

THANK YOU FOR BUYING HYTORC!

HYTORC is used more often, by more industries on more applications than all others combined. If you maintain your new tool properly, it will last for years to come.

This catalog is designed to provide you with the basic knowledge required to select the proper HYTORC Socket for your HYTORC tool and your application needs. If you have any questions regarding your HYTORC tool, please call us directly at 201-512-9500 or fax 201-512-0530.

For additional information please visit our website at www.hytorc.com

Again, thank you and welcome to HYTORC!

Worldwide Warranty

HYTORC equipment is engineered to the latest technological standards and is backed by our exclusive 12-word, 12-month warranty.

"YOU BREAK IT UNDER NORMAL USE. WE FIX IT FREE OF CHARGE!"

If a HYTORC Tool cannot be repaired on-site, FREE loaner HYTORC equipment will be made available to you upon request.

UNEX CORPORATION OR ITS DEALERS SHALL NOT BE LIABLE FOR LOSS OF PRODUCT OR OTHER INCIDENTAL OR CONSEQUENTIAL COSTS INCURRED BY THE BUYER OR THE USER.

HYTORC Offices Worldwide

Europe	HYTORC Europe	Tel. 33-1-4288-6745
Japan	HYTORC Japan	Tel. 81-3-3314-3315
Australia	HYTORC Australia	Tel. 61-8-8293-8411
United Kingdom	HYTORC UK	Tel. 44-16-7036-3800
Brazil	HYTORC South America	Tel. 55-21-2223-2944
All Others	HYTORC USA	Tel. 201-512-9500 /800-FOR-HYTORC

HYTORC SOCKET OVERVIEW

When it comes to power driving tools. HYTORC sockets are the only answer.

**HYTORC sockets conform to the international standards
ISO- 1174-2. 1703. 1711-2. 2725-2 and 2725-3.**

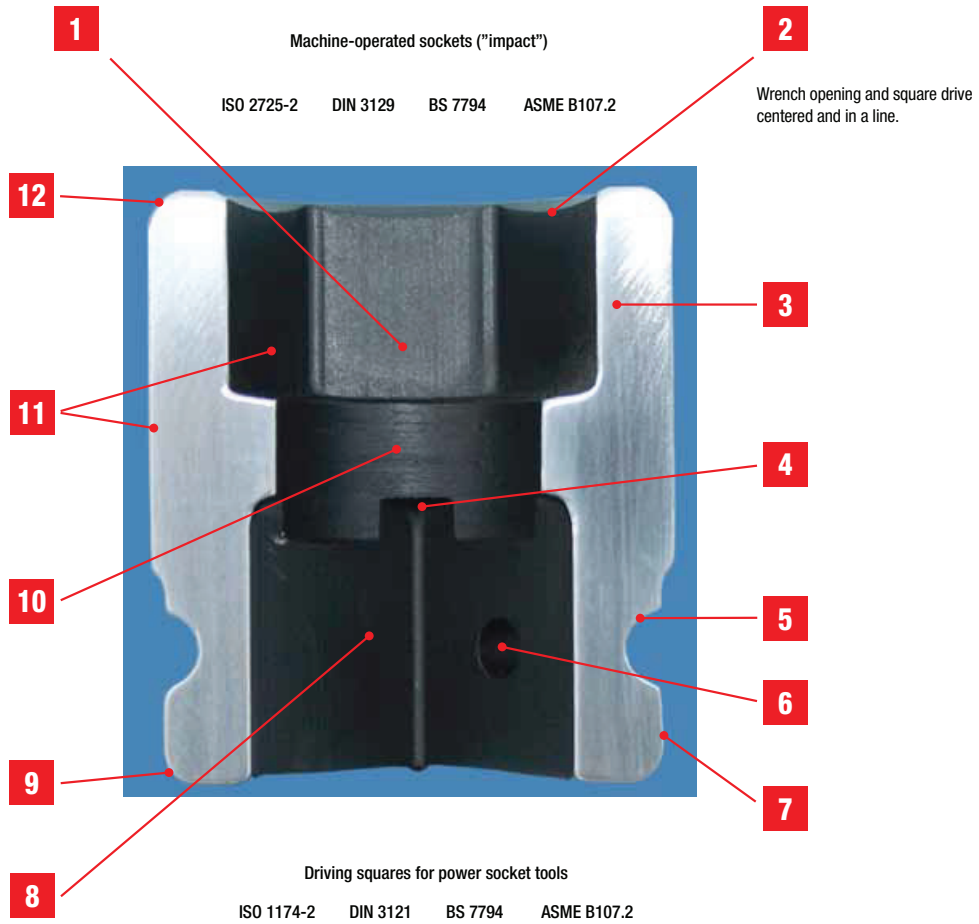
Our sockets are ISO 9001 QUALITY certified and ISO 14001 certified for their environmental management systems.

The latest technology is used to calculate optimal socket configurations. Stress simulations also includes nut-running elements and fasteners. Breaking & tensile strength. material fatigue. resistance to wear are verified on test equipment's.



Each batch of HYTORC sockets are tested for hardness. A versatile heat treatment department fully equipped for tempering. annealing. casehardening. nitro carburizing. nitride hardening. and carbonitriding secures the right properties for our sockets.

Machine operated sockets shall be marked permanently and legibly. The coating shall consist of chemically produced oxide coating followed with a coating of a rust preventative. Chrome or nickel plating must not be used for machine operated sockets. A fully automated system provides a durable black oxide and rust preventative finish.



- 1** Wrench opening with higher precision.
- 2** "The opening shall be countersunk or chamfered to facilitate engagement onto the fastener."
- 3** Wrench end outside diameters are selected to provide strength and access at limited clearance.
- 4** "Impact sockets shall be provided with through holes"
- 5** Groove for retaining ring.
- 6** Hole for locking pin.
- 7** Drive end diameters to handle the power delivered by any nutrunning machinery.
- 8** Square drive with higher precision.
- 9** "External corners shall be broken with no sharp edges."
- 10** "A bolt clearance hole shall be provided."
- 11** "Surfaces shall be free from detrimental defects affecting serviceability."
- 12** "External corners shall be broken with no sharp edges."



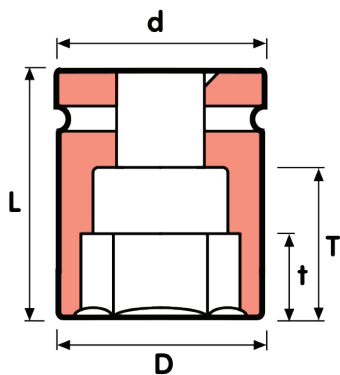
NEW HYTORC SOCKET COATING

To help protect the environment, HYTORC will be introducing a new coating on all of our sockets. This new coating will not contain the heavy metals such as Chromium, Nickel, Copper, and Selenium.

Our sockets will retain all the characteristics from the previous coating (black oxide) without polluting the environment with heavy metals. You will notice that this coating will have a light silver hue. This coating will greatly improve the ability to monitor socket rotation in cramped and poorly lit surroundings.




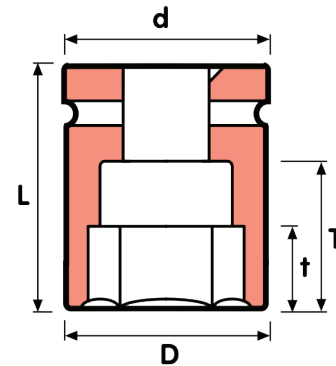
1/2" DRIVE SOCKETS



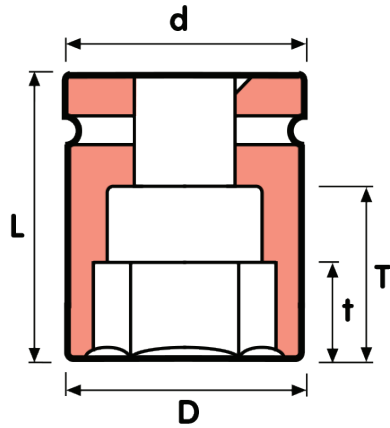
	Part No.	D	d	L	t	T	Wt.
		mm	mm	mm	mm	mm	kg
6	4-6	12	25	38	4	22	0.07
7	4-7	13	25	38	5	22	0.07
8	4-8	14.5	25	38	5	22	0.08
9	4-9	16	25	38	5	22	0.09
10	4-10	17	25	38	7	20	0.08
11	4-11	18.5	25	38	7	20	0.08
12	4-12	19.7	25	38	8	20	0.08
13	4-13	21	25	38	8	20	0.09
14	4-14	22.5	25	38	10	20	0.08
15	4-15	23.5	30	38	10	20	0.13
16	4-16	24.5	30	38	10	20	0.13
17	4-17	26	30	38	10	20	0.13
18	4-18	27.5	30	38	11	20	0.13
19	4-19=3/4	29	30	38	11	20	0.13
20	4-20	30	30	38	12	20	0.13
21	4-21	31	30	38	12	20	0.13
22	4-22	32.5	30	38	12	20	0.14
23	4-23	33.5	30	38	13	20	0.14
24	4-24	35	30	40	14	21	0.16
25	4-25	37	30	40	14	22	0.18
26	4-26	38	30	40	15	21	0.18
27	4-27=1 1/16	38.5	30	45	16	25	0.21
28	4-28	40	30	45	16	25	0.21
29	4-29	41	30	45	17	25	0.19
30	4-30=1 3/16	42.5	30	50	17	30	0.27
31	4-31	44	40	50	17	30	0.33
32	4-32	45	40	50	19	30	0.35
33	4-33	46.5	40	50	19	31	0.35
34	4-34	47	40	50	20	29	0.34
35	4-35=1 3/8	49	40	56	20	35	0.35
36	4-36	50	40	56	20	35	0.41
37	4-37	51	40	56	21	35	0.5
38	4-38=1 1/2	52	40	56	21	34	0.44
41	4-41	57	40	60	23	38	0.51
46	4-46=1 13/16	63	40	65	25	42	0.84


1/2" DRIVE SOCKETS


	Part No.	D	d	L	t	T	Wt.
		mm	mm	mm	mm	mm	kg
8	4-8L	14.5	25	82	5	66	0.2
9	4-9L	16	25	82	5	66	0.2
10	4-10L	17	25	82	7	64	0.13
11	4-11L	18.5	25	82	7	64	0.15
12	4-12L	19.7	25	82	8	64	0.16
13	4-13L	21	25	82	8	64	0.17
14	4-14L	22.5	25	82	10	64	0.19
15	4-15L	23.5	30	82	10	64	0.24
16	4-16L	24.5	30	82	10	64	0.22
17	4-17L	26	30	82	10	64	0.24
18	4-18L	27.5	30	82	11	64	0.26
19	4-19=3/4L	29	30	82	11	64	0.28
20	4-20L	30	30	82	12	64	0.31
21	4-21L	31	30	82	12	64	0.31
22	4-22L	32.5	30	82	12	63	0.3
23	4-23L	33.5	30	82	13	63	0.33
24	4-24L	35	30	82	14	63	0.35
25	4-25L	37	30	82	14	64	0.35
26	4-26L	38	30	82	15	63	0.43
27	4-27=1 1/16L	38.5	30	82	16	63	0.43
28	4-28L	40	30	82	16	63	0.45
29	4-29L	41	30	82	17	62	0.46
30	4-30=1 3/16L	42.5	30	82	17	63	0.48
31	4-31L	44	40	82	17	62	0.56
32	4-32L	45	40	82	19	60	0.55
33	4-33L	46.5	40	82	19	62	0.56
34	4-34L	47	40	82	20	61	0.59
35	4-35=1 3/8L	49	40	82	20	61	0.64
36	4-36L	50	40	82	20	61	0.64
38	4-38=1 1/2L	52	40	82	21	60	0.66
41	4-41L	57	40	82	23	60	0.84
46	4-46=1 13/16L	63	40	82	25	59	0.84




1/2" DRIVE SOCKETS

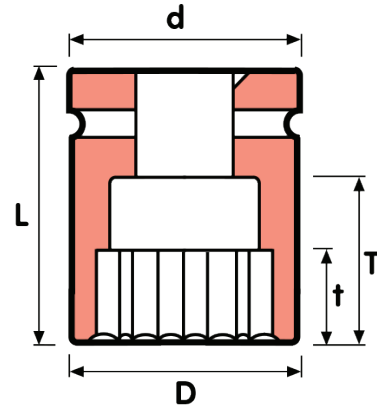



		Part No.	D	d	L	t	T	Wt.
			mm	mm	mm	mm	mm	kg
1/4		4-1/4	12	25	38	4	22	0.06
5/16		4-5/16	14.5	25	38	5	22	0.07
3/8		4-3/8	17	25	38	7	20	0.08
7/16		4-7/16	18.5	25	38	7	20	0.08
1/2		4-1/2	21	25	38	8	20	0.08
9/16		4-9/16	22.5	25	38	10	20	0.08
5/8		4-5/8	24.5	30	38	10	20	0.13
11/16		4-11/16	26	30	38	10	20	0.13
3/4		4-19=3/4	29	30	38	11	20	0.13
13/16		4-13/16	31	30	38	12	20	0.13
7/8		4-7/8	32.5	30	38	12	20	0.14
15/16		4-15/16	35	30	40	14	21	0.16
1		4-1	37	30	40	14	21	0.17
1 1/16		4-27=1 1/16	38.5	30	45	16	25	0.21
1 1/8		4-1 1/8	41	30	45	17	25	0.22
1 3/16		4-30=1 3/16	42.5	30	50	17	30	0.27
1 1/4		4-1 1/4	45	40	50	19	30	0.35
1 5/16		4-1 5/16	46.5	40	50	19	30	0.29
1 7/16		4-1 7/16	51	40	56	21	35	0.51

		Part No.	D	d	L	t	T	Wt.
			mm	mm	mm	mm	mm	kg
3/8		4-3/8L	17	25	82	7	64	0.13
7/16		4-7/16L	18.5	25	82	7	64	0.15
1/2		4-1/2L	21	25	82	8	64	0.17
9/16		4-9/16L	22.5	25	82	10	64	0.19
5/8		4-5/8L	24.5	30	82	10	64	0.22
11/16		4-11/16L	26	30	82	10	64	0.24
3/4		4-19=3/4L	29	30	82	11	64	0.28
13/16		4-13/16L	31	30	82	12	64	0.31
7/8		4-7/8L	32.5	30	82	12	63	0.31
15/16		4-15/16L	35	30	82	14	63	0.35
1		4-1L	37	30	82	14	63	0.37
1 1/16		4-27=1 1/16L	38.5	30	82	16	62	0.43
1 1/8		4-1 1/8L	41	30	82	17	62	0.45
1 3/16		4-30=1 3/16L	42.5	30	82	17	62	0.48
1 1/4		4-1 1/4L	45	40	82	19	62	0.51
1 5/16		4-1 5/16L	46.5	40	82	19	62	0.59

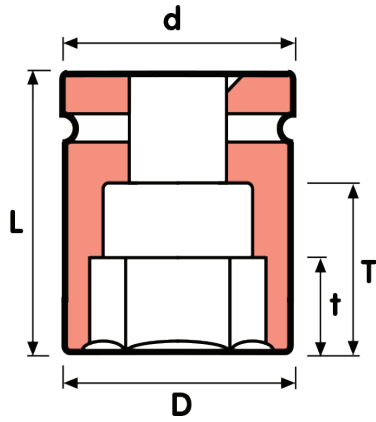
12pt 1/2" DRIVE SOCKETS

	Part No.	D	d	L	t	T	Wt.
		mm	mm	mm	mm	mm	kg
10	4-D6K10	17	25	38	7	20	0.08
11	4-D6K11	18.5	25	38	7	20	0.08
12	4-D6K12	19.7	25	38	8	20	0.08
13	4-D6K13	21	25	38	8	20	0.08
14	4-D6K14	22.5	25	38	10	20	0.08
15	4-D6K15	23.5	30	38	10	20	0.09
16	4-D6K16	24.5	30	38	10	20	0.13
17	4-D6K17	26	30	38	10	20	0.13
18	4-D6K18	27.5	30	38	11	20	0.13
19	4-D6K19=3/4	29	30	38	11	20	0.13
20	4-D6K20	30	30	38	12	20	0.13
21	4-D6K21	31	30	38	12	20	0.12
22	4-D6K22	32.5	30	38	12	20	0.14
23	4-D6K23	33.5	30	38	13	20	0.14
24	4-D6K24	35	30	40	14	21	0.16
26	4-D6K26	38	30	40	15	21	0.18
27	4-D6K27=1 1/16	38.5	30	45	16	25	0.21
28	4-D6K28	40	30	45	16	25	0.21
30	4-D6K30=1 3/16	42.5	30	50	17	30	0.27
32	4-D6K32	45	40	50	19	30	0.35




	Part No.	D	d	L	t	T	Wt.
		mm	mm	mm	mm	mm	kg
3/8	4-D6K3/8	17	25	38	7	20	0.08
7/16	4-D6K7/16	18.5	25	38	7	20	0.08
1/2	4-D6K1/2	21	25	38	8	20	0.08
9/16	4-D6K9/16	22.5	25	38	10	20	0.08
5/8	4-D6K5/8	24.5	30	38	10	20	0.13
11/16	4-D6K11/16	26	30	38	10	20	0.13
3/4	4-D6K19=3/4	29	30	38	11	20	0.13
13/16	4-D6K13/16	31	30	38	12	20	0.13
7/8	4-D6K7/8	32.5	30	38	12	20	0.13
15/16	4-D6K15/16	35	30	40	14	21	0.16
1	4-D6K1	37	30	40	14	21	0.17
1 1/16	4-D6K27=1 1/16	38.5	30	45	16	25	0.21
1 1/8	4-D6K1 1/8	41	30	45	17	25	0.22
1 3/16	4-D6K30=1 3/16	42.5	30	50	17	30	0.27
1 1/4	4-D6K1 1/4	45	40	50	19	30	0.35

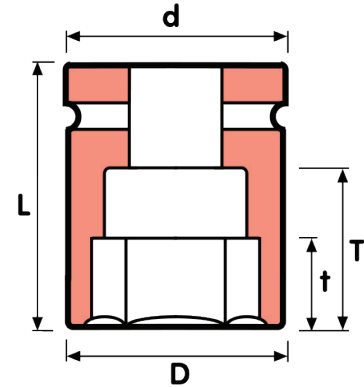
3/4" DRIVE SOCKETS




	Part No.	D	d	L	t	T	Wt.
		mm	mm	mm	mm	mm	kg
12	2-12	23	44	50	8	26	0.33
13	2-13	24	44	50	8	26	0.34
14	2-14	26	44	50	10	26	0.34
15	2-15	26	44	50	10	26	0.35
16	2-16	27	44	50	10	24	0.34
17	2-17	30	44	50	10	24	0.34
18	2-18	31	44	50	11	24	0.35
19	2-19=3/4	32	44	50	11	24	0.38
20	2-20	33	44	50	12	24	0.38
21	2-21	35	44	50	12	24	0.39
22	2-22	35	44	50	12	24	0.38
23	2-23	38	44	50	13	24	0.39
24	2-24	38.5	44	50	14	24	0.38
25	2-25	39	44	50	14	25	0.38
26	2-26	41	44	54	15	29	0.41
27	2-27=1 1/16	42	44	54	16	29	0.41
28	2-28	44	44	54	16	29	0.42
29	2-29	44	44	54	17	29	0.42
30	2-30=1 3/16	46	44	54	17	29	0.43
31	2-31	47	44	54	17	28	0.47
32	2-32	48.5	44	56	19	30	0.48
33	2-33	51	44	56	19	30	0.51
34	2-34	52	44	56	20	30	0.52
35	2-35=1 3/8	53	44	56	20	30	0.52
36	2-36	54	44	56	20	30	0.55
37	2-37	56	44	58	21	32	0.6
38	2-38=1 1/2	57	44	58	21	32	0.62
39	2-39	58	44	58	22	30	0.61
40	2-40	59	44	58	22	30	0.63
41	2-41	61	44	63	23	34	0.68
42	2-42	62	44	63	23	34	0.75
43	2-43=1 11/16	64	44	63	24	34	0.78
44	2-44	65	44	63	24	34	0.79
45	2-45	66	44	63	25	34	1.03
46	2-46=1 13/16	67	44	63	25	34	0.85
47	2-47	68.5	44	70	26	38	0.94
48	2-48	69	44	70	26	46	0.92
49	2-49	70	44	70	28	46	0.93
50	2-50	70	44	70	28	38	0.96
51	2-51	71	44	70	30	46	0.99
52	2-52	72	44	70	30	46	1.12
55	2-55	76	44	70	30	38	1.07

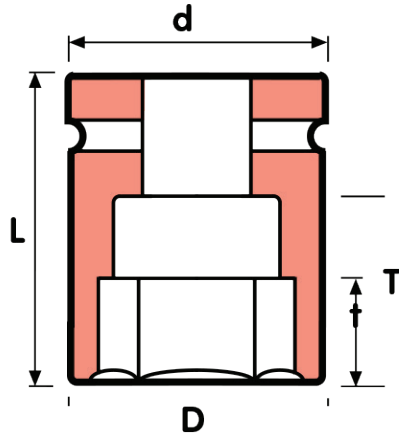
3/4" DRIVE SOCKETS

	Part No.	D	d	L	t	T	Wt.
		mm	mm	mm	mm	mm	kg
56	2-56	78	44	80	30	56	1.08
57	2-57	80	44	80	30	54	1.39
58	2-58	81	44	80	30	53	1.35
60	2-60	83	44	80	35	50	1.36
65	2-65=2 9/16	88	44	80	35	50	1.44
67	2-67	90	44	80	40	51	1.47
70	2-70=2 3/4	95	44	80	40	50	1.77
75	2-75	100	44	80	40	48	1.72
80	2-80	106	44	80	40	47	1.82
82	2-82	108	44	80	40	46	1.89
85	2-85	112	44	80	40	46	2.11
88	2-88	114	44	80	40	45	1.82
95	2-95=3 3/4	124	44	80	40	43	2.32



	Part No.	D	d	L	t	T	Wt.
		mm	mm	mm	mm	mm	kg
12	2-12L	25	44	100	8	76	0.65
13	2-13L	25	44	100	8	76	0.65
14	2-14L	27	44	100	10	76	0.37
15	2-15L	27	44	100	10	76	0.56
16	2-16L	28	44	100	10	74	0.52
17	2-17L	31	44	100	10	74	0.6
18	2-18L	32	44	100	11	74	0.64
19	2-19=3/4L	33	44	100	11	74	0.61
20	2-20L	34	44	100	12	74	0.65
21	2-21L	36	44	100	12	74	0.70
22	2-22L	36	44	100	12	74	0.7
23	2-23L	39	44	100	13	74	0.72
24	2-24L	39.5	44	100	14	74	0.72
25	2-25L	40	44	100	14	75	0.57
26	2-26L	42	44	100	15	74	0.73
27	2-27=1 1/16L	43	44	100	16	74	0.75
28	2-28L	44	44	100	16	74	0.77
29	2-29L	44	44	100	17	74	0.73
30	2-30=1 3/16L	46	44	100	17	74	0.83
31	2-31L	47	44	100	17	74	0.84
32	2-32L	48.5	44	100	19	74	0.89
33	2-33L	51	44	100	19	74	0.99
34	2-34L	52	44	100	20	74	1.00
35	2-35=1 3/8L	53	44	100	20	74	1.00
36	2-36L	54	44	100	20	74	1.04

3/4" DRIVE SOCKETS

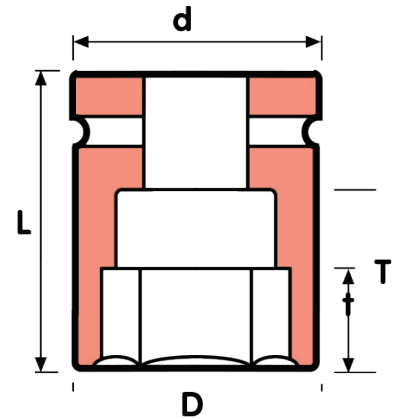


	Part No.	D	d	L	t	T	Wt.
		mm	mm	mm	mm	mm	kg
37	2-37L	56	44	100	21	74	1.12
38	2-38=1 1/2L	57	44	100	21	72	1.18
40	2-40L	59	44	100	22	72	1.28
41	2-41L	61	44	100	23	72	1.27
42	2-42L	62	44	100	23	72	1.23
43	2-43=1 11/16L	64	44	100	24	72	1.35
44	2-44L	65	44	100	24	71	1.35
45	2-45L	66	44	100	25	71	1.35
46	2-46=1 13/16L	67	44	100	25	72	1.5
47	2-47L	68.5	44	100	26	76	1.46
48	2-48L	69	44	100	26	76	1.61
50	2-50L	70	44	100	28	72	1.34
51	2-51L	71	44	100	30	76	1.4
52	2-52L	72	44	100	30	76	1.84
55	2-55L	76	44	100	30	72	1.53
56	2-56L	78	44	100	30	76	1.65
60	2-60L	83	44	125	35	98	2.27
65	2-65=2 9/16L	88	44	125	35	96	2.39
70	2-70=2 3/4L	95	44	125	40	95	2.77
75	2-75L	100	44	125	40	93	
95	2-95=3 3/4L	124	44	125	40	88	4.07

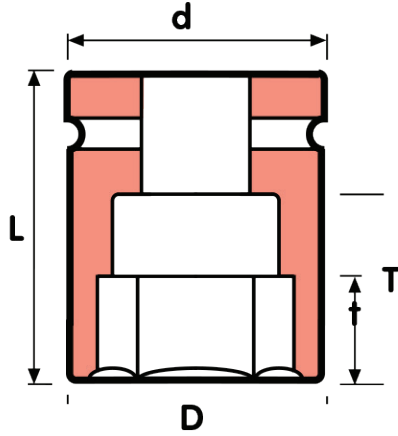
	Part No.	D	d	L	t	T	Wt.
		mm	mm	mm	mm	mm	kg
1/2	2-1/2	24	44	50	8	26	0.32
9/16	2-9/16	26	44	50	10	26	0.27
5/8	2-5/8	27	44	50	10	24	0.34
11/16	2-11/16	30	44	50	10	24	0.34
3/4	2-19=3/4	32	44	50	11	24	0.38
13/16	2-13/16	35	44	50	12	24	0.4
7/8	2-7/8	35	44	50	12	24	0.38
15/16	2-15/16	38.5	44	50	14	24	0.39
1	2-1	39	44	50	14	24	0.4
1 1/16	2-27=1 1/16	42	44	54	16	29	0.41
1 1/8	2-1 1/8	44	44	54	16	29	0.42
1 3/16	2-30=1 3/16	46	44	54	17	29	0.43
1 1/4	2-1 1/4	48.5	44	56	19	30	0.48
1 5/16	2-1 5/16	51	44	56	19	30	0.52
1 3/8	2-35=1 3/8	53	44	56	20	30	0.52
1 7/16	2-1 7/16	56	44	58	21	32	0.58


3/4" DRIVE SOCKETS

	Part No.	D	d	L	t	T	Wt.
		mm	mm	mm	mm	mm	kg
1 1/2	2-38=1 1/2	57	44	58	21	32	0.62
1 9/16	2-1 9/16	59	44	58	22	32	0.65
1 5/8	2-1 5/8	61	44	63	23	34	0.68
1 11/16	2-43=1 11/16	64	44	63	24	34	0.78
1 3/4	2-1 3/4	65	44	63	24	34	0.8
1 13/16	2-46=1 13/16	67	44	63	25	34	0.85
1 7/8	2-1 7/8	69	44	70	26	38	0.95
1 15/16	2-1 15/16	70	44	70	28	46	1.15
2	2-2	71	44	70	30	38	0.99
2 1/16	2-2 1/16	72	44	70	30	46	0.92
2 1/8	2-2 1/8	74	44	70	30	46	0.95
2 3/16	2-2 3/16	78	44	80	30	56	1.34
2 1/4	2-2 1/4	80	44	80	30	54	1.32
2 5/16	2-2 5/16	81	44	80	30	53	1.43
2 3/8	2-2 3/8	83	44	80	35	53	1.43
2 1/2	2-2 1/2	86	44	80	35	52	1.41
2 9/16	2-65=2 9/16	88	44	80	35	51	1.44
2 3/4	2-70=2 3/4	95	44	80	40	50	1.77
3 3/4	2-95=3 3/4	124	44	80	40	43	2.32




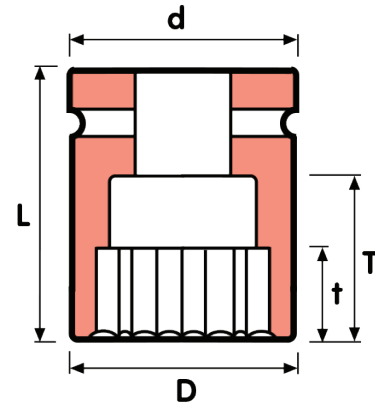
3/4" DRIVE SOCKETS



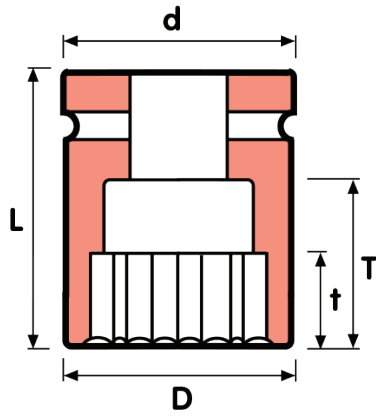
	Part No.	D	d	L	t	T	Wt.
		mm	mm	mm	mm	mm	kg
5/8	2-5/8L	28	44	100	10	74	0.63
11/16	2-11/16L	31	44	100	10	74	0.6
3/4	2-19=3/4L	33	44	100	11	74	0.61
13/16	2-13/16L	36	44	100	12	74	0.68
7/8	2-7/8L	36	44	100	12	74	0.7
15/16	2-15/16L	39.5	44	100	14	74	0.72
1	2-1L	40	44	100	14	74	0.68
1 1/16	2-27=1 1/16L	43	44	100	16	74	0.75
1 1/8	2-1 1/8L	44	44	100	16	74	0.77
1 3/16	2-30=1 3/16L	46	44	100	17	74	0.83
1 1/4	2-1 1/4L	48.5	44	100	19	74	0.85
1 5/16	2-1 5/16L	51	44	100	19	74	1.00
1 3/8	2-35=1 3/8L	53	44	100	20	74	1.00
1 7/16	2-1 7/16L	56	44	100	21	74	1.12
1 1/2	2-38=1 1/2L	57	44	100	21	72	1.18
1 9/16	2-1 9/16L	59	44	100	22	72	1.22
1 5/8	2-1 5/8L	61	44	100	23	72	1.27
1 11/16	2-43=1 11/16L	64	44	100	24	72	1.35
1 3/4	2-1 3/4L	65	44	100	24	71	1.51
1 13/16	2-46=1 13/16L	67	44	100	25	72	1.5
1 7/8	2-1 7/8L	69	44	100	26	72	1.5
2	2-2L	71	44	100	30	72	1.39
2 9/16	2-65=2 9/16L	88	44	125	35	96	2.39
2 3/4	2-70=2 3/4L	95	44	125	40	95	2.77
3 3/4	2-95=3 3/4L	124	44	125	40	88	4.07


12PT 3/4" DRIVE SOCKETS

	Part No.	D	d	L	t	T	Wt.
		mm	mm	mm	mm	mm	kg
16	2-D6K16	27	44	50	10	24	0.36
17	2-D6K17	30	44	50	10	24	0.36
18	2-D6K18	31	44	50	11	24	0.36
19	2-D6K19=3/4	32	44	50	11	24	0.37
20	2-D6K20	33	44	50	12	24	0.36
21	2-D6K21	35	44	50	12	24	0.36
22	2-D6K22	35	44	50	12	24	0.38
23	2-D6K23	38	44	50	13	24	0.36
24	2-D6K24	38.5	44	50	14	24	0.38
26	2-D6K26	41	44	54	15	29	0.41
27	2-D6K27=1 1/16	42	44	54	16	29	0.41
28	2-D6K28	44	44	54	16	29	0.42
29	2-D6K29	44	44	54	17	29	0.42
30	2-D6K30=1 3/16	46	44	54	17	29	0.43
32	2-D6K32	48.5	44	56	19	30	0.48
33	2-D6K33	51	44	56	19	30	0.52
34	2-D6K34	52	44	56	20	30	0.36
35	2-D6K35=1 3/8	53	44	56	20	30	0.52
36	2-D6K36	54	44	56	20	30	0.55
37	2-D6K37	56	44	58	21	32	0.6
38	2-D6K38=1 1/2	57	44	58	21	32	0.61
41	2-D6K41	61	44	63	23	34	0.68
42	2-D6K42	62	44	63	23	34	0.75
43	2-D6K43=1 11/16	64	44	63	24	34	0.78
46	2-D6K46=1 13/16	67	44	63	25	34	0.84
47	2-D6K47	68.5	44	70	26	38	0.94
50	2-D6K50	70	44	70	28	38	1.00
55	2-D6K55	76	44	70	30	38	0.97
60	2-D6K60	83	44	80	35	50	1.32
65	2-D6K65=2 9/16	88	44	80	35	50	1.44




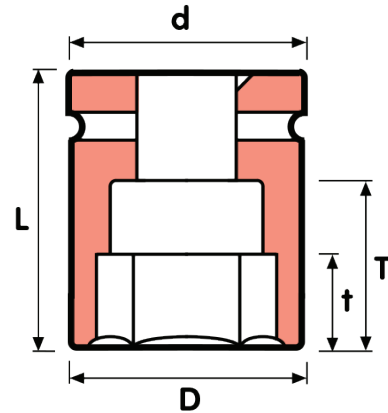
12PT 3/4" DRIVE SOCKETS




	Part No.	D	d	L	t	T	Wt.
		mm	mm	mm	mm	mm	kg
5/8	2-D6K5/8	27	44	50	10	24	0.33
11/16	2-D6K11/16	30	44	50	10	24	0.36
3/4	2-D6K19=3/4	32	44	50	11	24	0.37
13/16	2-D6K13/16	35	44	50	12	24	0.37
7/8	2-D6K7/8	35	44	50	12	24	0.33
15/16	2-D6K15/16	38.5	44	50	14	24	0.37
1	2-D6K1	39	44	50	14	24	0.38
1 1/16	2-D6K27=1 1/16	42	44	54	16	29	0.41
1 1/8	2-D6K1 1/8	44	44	54	16	29	0.39
1 3/16	2-D6K30=1 3/16	46	44	54	17	29	0.43
1 1/4	2-D6K1 1/4	48.5	44	56	19	30	0.45
1 5/16	2-D6K1 5/16	51	44	56	19	30	0.5
1 3/8	2-D6K35=1 3/8	53	44	56	20	30	0.52
1 7/16	2-D6K1 7/16	56	44	58	21	32	0.58
1 1/2	2-D6K38=1 1/2	57	44	58	21	32	0.61
1 9/16	2-D6K1 9/16	59	44	58	22	32	0.65
1 5/8	2-D6K1 5/8	61	44	63	23	34	0.68
1 11/16	2-D6K43=1 11/16	64	44	63	24	34	0.78
1 3/4	2-D6K1 3/4	65	44	63	24	34	0.82
1 13/16	2-D6K46=1 13/16	67	44	63	25	34	0.84
1 7/8	2-D6K1 7/8	69	44	70	26	38	0.91
2	2-D6K2	71	44	70	30	38	0.94
2 9/16	2-D6K65=2 9/16	88	44	80	35	50	1.44

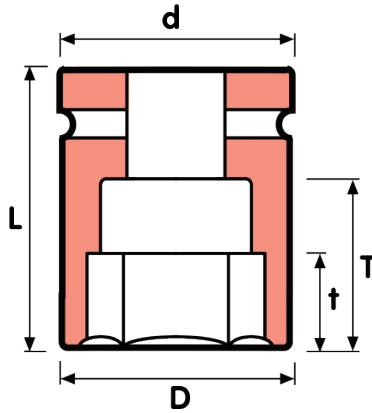
1" DRIVE SOCKETS

	Part No.	D	d	L	t	T	
		mm	mm	mm	mm	mm	kg
60	9-60	87	62	83	33	52	1.80
61	9-61	88	62	83	33	54	1.84
62	9-62	91	62	86	35	53	2.07
63	9-63	92	62	86	35	53	2.08
64	9-64	92	62	86	35	53	2.04
65	9-65=2 9/16	94	62	86	35	54	2.10
66	9-66	95	62	86	38	52	2.13
70	9-70=2 3/4	100	62	86	38	54	2.27
71	9-71	102	76	86	38	50	2.72
74	9-74	106	76	86	38	50	2.85
75	9-75	107	76	86	38	54	2.87
76	9-76	108	76	86	38	49	2.92
77	9-77	109	76	86	38	49	1.08
80	9-80	113	76	90	38	58	3.42
82	9-82	115	76	90	38	51	3.30
84	9-84	116	76	90	38	51	3.25
85	9-85	117	76	90	38	58	3.46
87	9-87	120	76	90	38	50	3.41
88	9-88	120	76	90	38	50	3.35
90	9-90	124	76	100	45	67	4.3
94	9-94	128	76	100	45	58	4.13
95	9-95=3 3/4	129	76	100	45	66	4.40
96	9-96	132	76	100	45	57	4.40
100	9-100	136	76	100	45	65	4.50
105	9-105=4 1/8	142	76	100	50	55	4.75
110	9-110	147	76	100	50	53	4.91
115	9-115	153	76	100	50	52	5.20
120	9-120	161	76	100	50	50	5.69




	Part No.	D	d	L	t	T	
		mm	mm	mm	mm	mm	kg
19	9-19=3/4L	35	54	100	11	71	1.30
21	9-21L	36	54	100	12	71	1.31
22	9-22L	37	54	100	12	71	0.88
23	9-23L	38	54	100	14	68	0.88
24	9-24L	38	54	100	14	68	0.89
25	9-25L	41	54	100	14	71	1.29
26	9-26L	43	54	100	15	71	0.99
27	9-27=1 1/16L	44	54	100	16	68	0.99

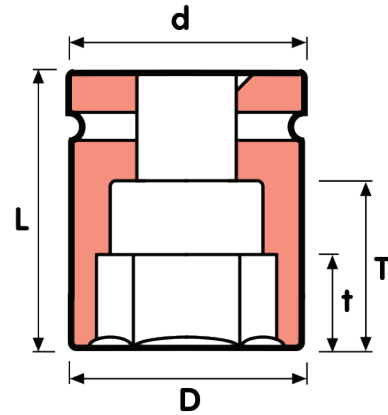
1" DRIVE SOCKETS



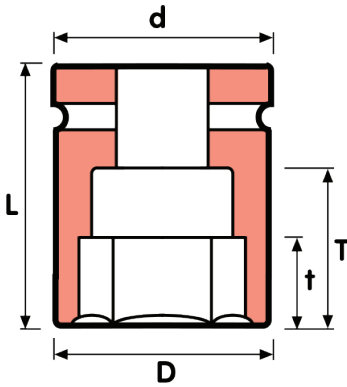
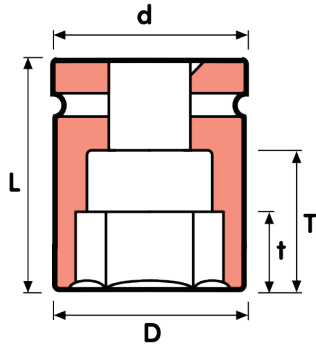
	Part No.	D	d	L	t	T	Wt.
		mm	mm	mm	mm	mm	kg
28	9-28L	47	54	100	16	68	1.07
29	9-29L	47	54	100	17	71	1.03
30	9-30=1 3/16L	50	54	100	17	68	1.15
31	9-31L	50	54	100	17	71	1.20
32	9-32L	52	54	100	19	68	1.17
35	9-35=1 3/8L	57	54	100	20	68	1.25
36	9-36L	57	54	100	20	68	1.18
37	9-37L	58	54	100	21	68	1.26
38	9-38=1 1/2L	59	54	100	21	67	1.32
39	9-39L	59	54	100	22	69	1.3
40	9-40L	61	54	100	22	69	1.33
41	9-41L	63	54	100	23	67	1.41
42	9-42L	64	54	100	23	67	1.44
43	9-43=1 11/16L	64	54	100	24	67	1.46
44	9-44L	67	54	115	24	83	1.97
45	9-45L	68	54	115	25	83	1.98
46	9-46=1 13/16L	69	54	115	25	82	1.85
47	9-47L	71	54	115	26	83	1.93
48	9-48L	72	54	115	26	86	1.94
49	9-49L	73	54	115	28	86	1.16
50	9-50L	75	54	125	28	93	2.22
51	9-51L	76	54	125	30	96	2.26
52	9-52L	78	54	125	30	93	2.38
55	9-55L	81	62	125	30	93	2.67
56	9-56L	82	62	125	30	93	2.80
57	9-57L	85	62	125	30	96	2.80
60	9-60L	87	62	125	33	93	2.90
65	9-65=2 9/16L	94	62	135	35	105	3.63
70	9-70=2 3/4L	100	62	135	38	105	3.83
75	9-75L	107	76	135	38	105	4.80
80	9-80L	113	76	140	38	108	5.15
85	9-85L	117	76	140	38	100	5.90
90	9-90L	124	76	140	45	99	5.74
95	9-95=3 3/4L	129	76	140	45	98	5.83

1" DRIVE SOCKETS

	Part No.	D	d	L	t	T	Wt.
		mm	mm	mm	mm	mm	kg
3/4	9-19=3/4	35	54	59	11	27	0.63
13/16	9-13/16	36	54	59	12	30	0.65
7/8	9-7/8	37	54	59	12	27	0.66
15/16	9-15/16	38	54	59	14	27	0.62
1	9-1	41	54	59	14	27	0.64
1 1/16	9-27=1 1/16	44	54	59	16	27	0.65
1 1/8	9-1 1/8	47	54	59	16	29	0.68
1 3/16	9-30=1 3/16	50	54	61	17	29	0.69
1 1/4	9-1 1/4	52	54	61	19	29	0.68
1 5/16	9-1 5/16	54	54	61	19	29	0.69
1 3/8	9-35=1 3/8	57	54	65	20	33	0.79
1 7/16	9-1 7/16	58	54	65	21	33	0.78
1 1/2	9-38=1 1/2	59	54	65	21	33	0.82
1 9/16	9-1 9/16	61	54	65	22	33	0.86
1 5/8	9-1 5/8	63	54	70	23	38	0.95
1 11/16	9-43=1 11/16	64	54	70	24	40	0.95
1 3/4	9-1 3/4	67	54	70	24	40	1.02
1 13/16	9-46=1 13/16	69	54	75	25	42	1.12
1 7/8	9-1 7/8	72	54	75	26	43	1.21
1 15/16	9-1 15/16	73	54	75	28	43	1.30
2	9-2	76	54	80	30	48	1.40
2 1/16	9-2 1/16	78	54	80	30	48	1.45
2 1/8	9-2 1/8	80	62	83	30	50	1.70
2 3/16	9-2 3/16	82	62	83	30	52	1.80
2 1/4	9-2 1/4	85	62	83	30	52	1.88
2 5/16	9-2 5/16	86	62	83	30	52	1.90
2 3/8	9-2 3/8	87	62	83	33	52	1.80
2 7/16	9-2 7/16	91	62	86	35	53	2.00
2 1/2	9-2 1/2	92	62	86	35	53	2.00
2 9/16	9-65=2 9/16	94	62	86	35	54	2.10
2 5/8	9-2 5/8	96	62	86	38	54	2.28
2 11/16	9-2 11/16	99	62	86	38	54	2.35
2 3/4	9-70=2 3/4	100	62	86	38	54	2.27
2 13/16	9-2 13/16	102	76	86	38	54	2.68
2 7/8	9-2 7/8	104	76	86	38	54	2.90
2 15/16	9-2 15/16	107	76	86	38	54	3.00
3	9-3	108	76	86	38	54	3.04
3 1/16	9-3 1/16	109	76	86	38	54	3.10
3 1/8	9-3 1/8	113	76	90	38	58	3.40
3 3/16	9-3 3/16	114	76	90	38	52	3.28



1" DRIVE SOCKETS

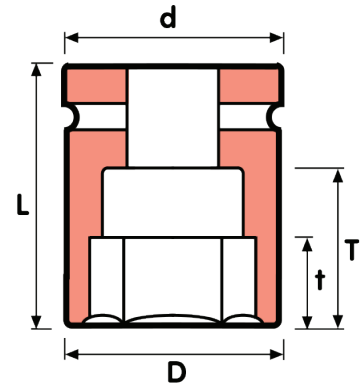


	Part No.	D	d	L	t	T	Wt.
		mm	mm	mm	mm	mm	kg
3 1/4	9-3 1/4	115	76	90	38	58	3.24
3 5/16	9-3 5/16	116	76	90	38	51	3.27
3 3/8	9-3 3/8	117	76	90	38	58	3.40
3 7/16	9-3 7/16	120	76	90	38	50	3.37
3 1/2	9-3 1/2	122	76	90	38	57	3.60
3 5/8	9-3 5/8	126	76	100	45	66	4.05
3 3/4	9-95=3 3/4	129	76	100	45	66	4.40
3 7/8	9-3 7/8	134	76	100	45	65	4.40
4	9-4	138	76	100	45	56	4.63
4 1/8	9-105=4 1/8	142	76	100	50	55	4.75
4 5/8	9-4 5/8	157	76	100	50	51	5.43
4 3/4	9-4 3/4	161	76	100	50	50	5.73

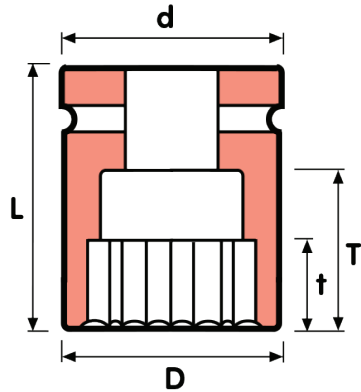
	Part No.	D	d	L	t	T	Wt.
		mm	mm	mm	mm	mm	kg
3/4	9-19=3/4L	35	54	100	11	71	1.3
13/16	9-13/16L	37	54	100	12	71	0.86
7/8	9-7/8L	38	54	100	12	71	0.87
15/16	9-15/16L	39	54	100	14	68	0.89
1	9-1L	42	54	100	14	68	0.93
1 1/16	9-27=1 1/16L	44	54	100	16	68	0.99
1 1/8	9-1 1/8L	48	54	100	24	68	1.07
1 3/16	9-30=1 3/16L	50	54	100	17	68	1.15
1 1/4	9-1 1/4L	53	54	100	19	68	1.17
1 5/16	9-1 5/16L	54	54	100	19	68	1.19
1 3/8	9-35=1 3/8L	57	54	100	20	68	1.25
1 7/16	9-1 7/16L	58	54	100	21	68	1.31
1 1/2	9-38=1 1/2L	59	54	100	21	68	1.32
1 9/16	9-1 9/16L	61	54	100	22	67	1.38
1 5/8	9-1 5/8L	63	54	100	23	67	1.41
1 11/16	9-43=1 11/16L	64	54	100	24	67	1.46
1 3/4	9-1 3/4L	67	54	115	24	82	1.85
1 13/16	9-46=1 13/16L	69	54	115	25	82	1.85
1 7/8	9-1 7/8L	72	54	115	26	82	2.00
1 15/16	9-1 15/16L	73	54	115	28	82	2.1
2	9-2L	76	54	125	30	93	2.3
2 1/16	9-2 1/16L	78	54	125	30	93	2.4

1" DRIVE SOCKETS


	Part No.	D	d	L	t	T	Wt.
		mm	mm	mm	mm	mm	kg
2 1/8	9-2 1/8L	80	62	125	30	93	2.6
2 3/16	9-2 3/16L	82	62	125	30	93	2.8
2 1/4	9-2 1/4L	85	62	125	30	93	2.8
2 5/16	9-2 5/16L	86	62	125	30	93	2.9
2 3/8	9-2 3/8L	87	62	125	33	93	2.9
2 7/16	9-2 7/16L	91	62	135	35	107	3.3
2 1/2	9-2 1/2L	92	62	135	35	107	3.55
2 9/16	9-65=2 9/16L	94	62	135	35	107	3.63
2 5/8	9-2 5/8L	96	62	135	38	107	3.7
2 11/16	9-2 11/16L	99	62	135	38	107	3.80
2 3/4	9-70=2 3/4L	100	62	135	38	107	3.83
2 13/16	9-2 13/16L	102	76	135	38	100	4.25
2 7/8	9-2 7/8L	104	76	135	38	99	4.42
2 15/16	9-2 15/16L	107	76	135	38	99	4.62
3	9-3L	108	76	135	38	98	4.82
3 1/16	9-3 1/16L	109	76	135	38	98	4.71
3 1/8	9-3 1/8L	113	76	140	38	102	5.3
3 1/4	9-3 1/4L	115	76	140	35	101	5.31
3 3/4	9-95=3 3/4L	129	76	140	45	98	5.83
3 7/8	9-3 7/8L	134	76	140	45	97	6.40




12 PT 1" DRIVE SOCKETS

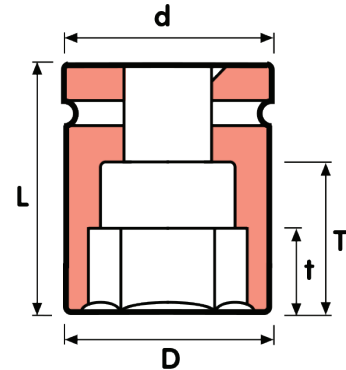


		Part No.	D	d	L	t	T	Wt.
			mm	mm	mm	mm	mm	kg
22		9-D6K22	37	54	59	12	27	0.62
24		9-D6K24	38	54	59	14	27	0.61
26		9-D6K26	43	54	59	15	27	0.63
27		9-D6K27=1 1/16	44	54	59	16	27	0.64
28		9-D6K28	47	54	61	16	29	0.68
29		9-D6K29	47	54	61	17	29	0.66
30		9-D6K30=1 3/16	50	54	61	17	29	0.68
32		9-D6K32	52	54	61	19	29	0.68
35		9-D6K35=1 3/8	57	54	65	20	33	0.79
36		9-D6K36	57	54	65	20	33	0.79
37		9-D6K37	58	54	65	21	33	0.80
38		9-D6K38=1 1/2	59	54	65	21	33	0.82
41		9-D6K41	63	54	70	23	38	0.95
42		9-D6K42	64	54	70	23	38	0.97
43		9-D6K43=1 11/16	64	54	70	24	40	0.95
46		9-D6K46=1 13/16	69	54	75	25	42	1.12
50		9-D6K50	75	54	80	28	48	1.36
55		9-D6K55	81	62	83	30	50	1.74
56		9-D6K56	82	62	83	30	52	1.78
60		9-D6K60	87	62	83	33	52	1.90
65		9-D6K65=2 9/16	94	62	86	35	54	2.26
70		9-D6K70=2 3/4	100	62	86	38	54	2.44
75		9-D6K75	107	76	86	38	54	3.02
80		9-D6K80	113	76	90	38	58	3.11
85		9-D6K85	117	76	90	38	58	3.46
90		9-D6K90	124	76	100	45	67	4.30
95		9-D6K95=3 3/4	129	76	100	45	66	4.40
100		9-D6K100	136	76	100	45	65	4.50

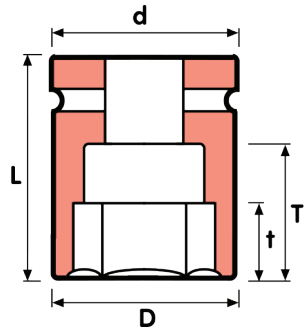
		Part No.	D	d	L	t	T	Wt.
			mm	mm	mm	mm	mm	kg
7/8		9-D6K7/8	37	54	59	12	27	0.66
15/16		9-D6K15/16	38	54	59	14	27	0.62
1		9-D6K1	41	54	59	14	27	0.64
1 1/16		9-D6K27=1 1/16	44	54	59	16	27	0.65
1 1/8		9-D6K1 1/8	47	54	59	16	29	0.68
1 3/16		9-D6K30=1 3/16	50	54	61	17	29	0.69
1 1/4		9-D6K1 1/4	52	54	61	19	29	0.68
1 5/16		9-D6K1 5/16	54	54	61	19	29	0.69

12PT 1" DRIVE SOCKETS

	Part No.	D	d	L	t	T	Wt.
		mm	mm	mm	mm	mm	kg
1 3/8	9-D6K35=1 3/8	57	54	65	20	33	0.79
1 7/16	9-D6K1 7/16	58	54	65	21	33	0.78
1 1/2	9-D6K38=1 1/2	59	54	65	21	33	0.82
1 9/16	9-D6K1 9/16	61	54	65	22	33	0.86
1 5/8	9-D6K1 5/8	63	54	70	23	38	0.95
1 11/16	9-D6K43=1 11/16	64	54	70	24	40	0.95
1 3/4	9-D6K1 3/4	67	54	70	24	40	1.02
1 13/16	9-D6K46=1 13/16	69	54	75	25	42	1.12
1 7/8	9-D6K1 7/8	72	54	75	26	43	1.21
1 15/16	9-D6K1 15/16	73	54	75	28	43	1.30
2	9-D6K2	76	54	80	30	48	1.40
2 1/16	9-D6K2 1/16	78	54	80	30	48	1.45
2 1/8	9-D6K2 1/8	80	62	83	30	50	1.70
2 3/16	9-D6K2 3/16	82	62	83	30	52	1.80
2 1/4	9-D6K2 1/4	85	62	83	30	52	1.88
2 5/16	9-D6K2 5/16	86	62	83	30	52	1.90
2 3/8	9-D6K2 3/8	87	62	83	33	52	1.80
2 7/16	9-D6K2 7/16	91	62	86	35	53	2.00
2 1/2	9-D6K2 1/2	92	62	86	35	53	2.00
2 9/16	9-D6K65=2 9/16	94	62	86	35	54	2.10
2 5/8	9-D6K2 5/8	96	62	86	38	54	2.28
2 11/16	9-D6K2 11/16	99	62	86	38	54	2.35
2 3/4	9-D6K70=2 3/4	100	62	86	38	54	2.27
2 13/16	9-D6K2 13/16	102	76	86	38	54	2.68
2 7/8	9-D6K2 7/8	104	76	86	38	54	2.90
2 15/16	9-D6K2 15/16	107	76	86	38	54	3.00
3	9-D6K3	108	76	86	38	54	3.04
3 1/16	9-D6K3 1/16	109	76	86	38	54	3.10
3 1/8	9-D6K3 1/8	113	76	90	38	58	3.40
3 1/4	9-D6K3 1/4	115	76	90	38	58	3.24
3 3/8	9-D6K3 3/8	117	76	90	38	58	3.40
3 1/2	9-D6K3 1/2	122	76	90	38	57	3.60
3 5/8	9-D6K3 5/8	126	76	100	45	66	4.05
3 3/4	9-D6K95=3 3/4	129	76	100	45	66	4.40
3 7/8	9-D6K3 7/8	134	76	100	45	65	4.40





1 1/2" DRIVE SOCKETS

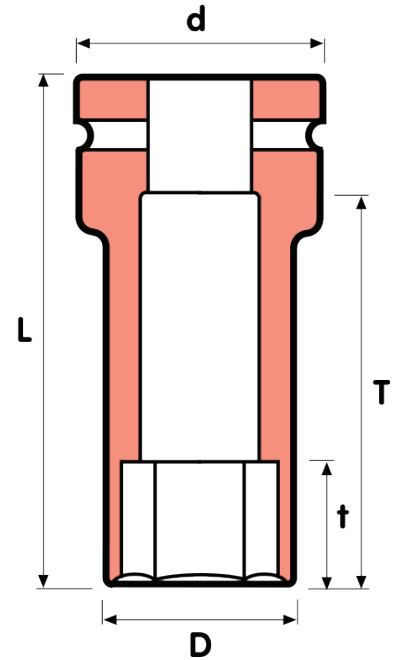


	Part No.	D	d	L	t	T	Wt.
		mm	mm	mm	mm	mm	kg
22	5-22	46	84	80	14	38	1.95
24	5-24	48	84	80	14	38	1.96
25	5-25	50	84	80	14	38	2.00
27	5-27=1 1/16	54	84	80	16	38	2.07
30	5-30=1 3/16	56	84	80	17	38	2.07
32	5-32	59	84	80	19	38	2.13
33	5-33	59	84	80	19	38	2.13
34	5-34	61	84	80	20	38	2.15
35	5-35=1 3/8	61	84	80	20	36	2.10
36	5-36	63	84	84	21	36	2.30
37	5-37	65	84	84	21	42	2.19
38	5-38=1 1/2	65	84	84	21	36	2.30
41	5-41	70	84	84	23	36	2.29
42	5-42	71	84	84	23	36	2.26
43	5-43=1 11/16	73	84	84	24	36	2.40
46	5-46=1 13/16	76	84	87	25	40	2.40
47	5-47	78	84	87	26	40	2.40
48	5-48	79	84	87	26	40	2.40
50	5-50	81	84	90	28	43	2.40
52	5-52	83	84	90	30	43	2.50
54	5-54	84	84	90	30	44	2.38
55	5-55	86	86	90	30	47	2.52
56	5-56	87	86	95	30	51	2.90
57	5-57	90	86	95	30	53	2.90
58	5-58	92	86	95	30	53	2.97
60	5-60	94	86	95	35	51	3.03
63	5-63	97	86	100	35	58	3.16
64	5-64	97	86	100	35	58	3.24
65	5-65=2 9/16	99	86	100	35	56	3.38
70	5-70=2 3/4	105	86	105	40	61	4.00
75	5-75	112	86	110	42	66	4.60
77	5-77	118	86	110	42	60	5.00
80	5-80	119	86	110	42	66	5.30
85	5-85	125	86	120	50	75	5.67
90	5-90	131	86	120	50	75	6.04
95	5-95=3 3/4	141	102	130	55	83	8.30
100	5-100	146	102	130	55	83	8.63
105	5-105=4 1/8	151	102	130	55	83	9.40
110	5-110	157	102	140	70	92	10.00
115	5-115	163	102	140	72	92	10.60
120	5-120	170	102	140	77	90	11.20
125	5-125	175	102	140	77	90	11.80


1 1/2" DRIVE SOCKETS

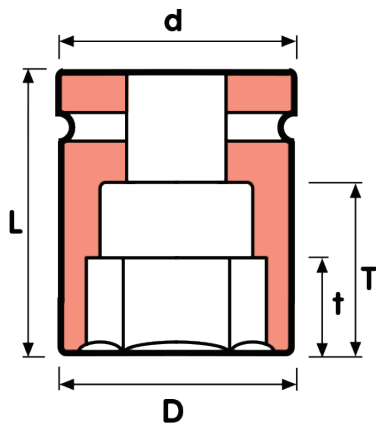
	Part No.	D	d	L	t	T	Wt.
		mm	mm	mm	mm	mm	kg
130	5-130	180	102	150	80	100	12.90
135	5-135	186	102	150	80	100	13.60
140	5-140	192	102	150	80	100	15.00
145	5-145	198	102	150	80	97	17.20
150	5-150	203	102	150	85	97	18.00
155	5-155	209	102	150	85	97	19.00


	Part No.	D	d	L	t	T	Wt.
		mm	mm	mm	mm	mm	kg
30	5-30=1 3/16L	56	84	150	17	108	3.30
35	5-35=1 3/8L	61	84	150	20	108	3.79
36	5-36L	63	84	150	23	108	3.81
38	5-38=1 1/2L	65	84	150	24	108	3.86
41	5-41L	70	84	150	27	106	3.70
42	5-42L	71	84	150	27	106	3.70
43	5-43=1 11/16L	73	84	150	27	106	3.90
46	5-46=1 13/16L	77	84	150	29	106	3.90
47	5-47L	78	84	150	30	106	4.26
48	5-48L	79	84	150	30	105	4.18
50	5-50L	81	84	150	32	106	3.90
52	5-52L	83	84	150	33	106	3.90
55	5-55L	86	86	150	35	106	4.10
56	5-56L	87	86	150	35	108	4.18
57	5-57L	90	86	150	36	108	4.40
58	5-58L	92	86	150	37	108	4.70
60	5-60L	94	86	150	39	106	4.70
63	5-63L	97	86	150	41	108	4.94
64	5-64L	97	86	150	41	108	4.86
65	5-65=2 9/16L	99	86	150	41	106	4.90
70	5-70=2 3/4L	105	86	170	45	126	6.40
75	5-75L	112	86	170	47	126	6.90
80	5-80L	119	86	170	51	126	7.60
85	5-85L	125	86	180	54	135	9.40
90	5-90L	131	86	180	58	135	10.00
95	5-95=3 3/4L	141	102	190	61	143	12.10
100	5-100L	146	102	190	46	143	12.60
105	5-105=4 1/8L	151	102	190	66	143	13.20
110	5-110L	157	102	200	70	152	14.50
115	5-115L	163	102	200	72	152	15.10
120	5-120L	170	102	200	77	150	16.00
125	5-125L	175	102	200	77	136	17.12




1 1/2" DRIVE SOCKETS

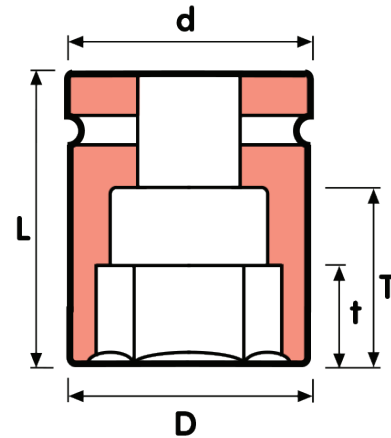
	Part No.	D	d	L	t	T	Wt.	
		mm	mm	mm	mm	mm	kg	
	130	5-130L	180	102	210	80	145	18.59
	135	5-135L	186	102	210	80	144	19.50
	140	5-140L	192	102	210	80	142	20.80
	145	5-145L	198	102	210	80	141	21.47
	150	5-150L	203	102	210	85	139	22.33
	155	5-155L	209	102	210	85	138	23.35



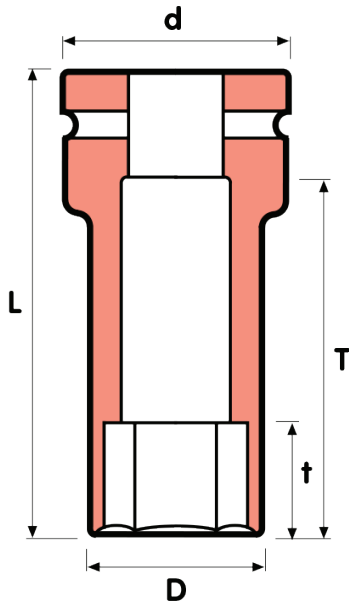
	Part No.	D	d	L	t	T	Wt.	
		mm	mm	mm	mm	mm	kg	
	1	5-1	50	84	80	14	38	1.98
	1 1/16	5-27=1 1/16	54	84	80	16	38	2.07
	1 1/8	5-1 1/8	54	84	80	16	38	1.98
	1 3/16	5-30=1 3/16	56	84	80	17	38	2.07
	1 1/4	5-1 1/4	59	84	80	19	38	2.15
	1 5/16	5-1 5/16	59	84	80	19	38	1.98
	1 3/8	5-35=1 3/8	61	84	80	20	36	2.10
	1 7/16	5-1 7/16	63	84	84	21	42	2.17
	1 1/2	5-38=1 1/2	65	84	84	21	36	2.30
	1 9/16	5-1 9/16	68	84	84	22	42	2.25
	1 5/8	5-1 5/8	70	84	84	23	36	2.40
	1 11/16	5-43=1 11/16	73	84	84	24	36	2.40
	1 3/4	5-1 3/4	75	84	87	25	40	2.40
	1 13/16	5-46=1 13/16	76	84	87	25	40	2.40
	1 7/8	5-1 7/8	78	84	87	26	40	2.40
	1 15/16	5-1 15/16	80	84	90	28	43	2.40
	2	5-2	82	84	90	30	43	2.42
	2 1/16	5-2 1/16	83	84	90	30	43	2.50
	2 1/8	5-2 1/8	84	84	90	30	43	2.60
	2 3/16	5-2 3/16	87	86	95	30	51	2.90
	2 1/4	5-2 1/4	90	86	95	30	51	2.90
	2 5/16	5-2 5/16	92	86	95	30	51	3.00
	2 3/8	5-2 3/8	94	86	95	35	51	3.10
	2 7/16	5-2 7/16	96	86	100	35	56	3.30
	2 1/2	5-2 1/2	97	86	100	35	56	3.30
	2 9/16	5-65=2 9/16	99	86	100	35	56	3.38
	2 5/8	5-2 5/8	102	86	105	40	61	3.80
	2 11/16	5-2 11/16	104	86	105	40	61	3.90
	2 3/4	5-70=2 3/4	105	86	105	40	61	4.00
	2 13/16	5-2 13/16	107	86	110	42	66	4.20

1 1/2" DRIVE SOCKETS

	Part No.	D	d	L	t	T	Wt.
		mm	mm	mm	mm	mm	kg
2 7/8	5-2 7/8	110	86	110	42	66	4.40
2 15/16	5-2 15/16	112	86	110	42	66	4.60
3	5-3	116	86	110	42	66	4.90
3 1/16	5-3 1/16	118	86	110	42	66	5.10
3 1/8	5-3 1/8	119	86	110	42	66	5.40
3 5/16	5-3 5/16	125	86	120	50	68	6.01
3 3/8	5-3 3/8	125	86	120	50	75	6.20
3 7/16	5-3 7/16	129	86	120	50	67	6.26
3 1/2	5-3 1/2	130	86	120	50	75	6.70
3 9/16	5-3 9/16	131	86	120	50	67	6.34
3 5/8	5-3 5/8	136	102	120	50	75	7.00
3 11/16	5-3 11/16	138	102	120	50	66	7.35
3 3/4	5-95=3 3/4	141	102	130	55	83	8.30
3 13/16	5-3 13/16	142	102	130	55	75	8.29
3 7/8	5-3 7/8	144	102	130	55	83	8.48
3 15/16	5-3 15/16	146	102	130	55	83	9.00
4	5-4	148	102	130	55	83	9.10
4 1/16	5-4 1/16	149	102	130	55	73	8.80
4 1/8	5-105=4 1/8	151	102	130	55	83	9.40
4 3/16	5-4 3/16	153	102	130	55	83	9.60
4 1/4	5-4 1/4	155	102	140	70	92	9.97
4 5/16	5-4 5/16	157	102	140	70	81	10.14
4 3/8	5-4 3/8	158	102	140	70	92	10.30
4 1/2	5-4 1/2	163	102	140	72	92	10.67
4 5/8	5-4 5/8	166	102	140	77	90	10.82
4 3/4	5-4 3/4	170	102	140	77	90	11.10
4 7/8	5-4 7/8	173	102	140	77	90	11.50
5	5-5	178	102	150	77	100	12.30
5 1/8	5-5 1/8	180	102	150	80	100	12.90
5 3/16	5-5 3/16	182	102	150	80	100	13.10
5 1/4	5-5 1/4	185	102	150	80	100	13.40
5 3/8	5-5 3/8	188	102	150	80	100	14.00
5 1/2	5-5 1/2	192	102	150	80	100	15.00
5 9/16	5-5 9/16	193	102	150	80	97	15.90
5 3/4	5-5 3/4	199	102	150	85	97	17.40
5 7/8	5-5 7/8	203	102	150	85	97	18.20
6	5-6	206	102	150	85	97	15.45
6 1/8	5-6 1/8	209	102	150	85	97	19.00




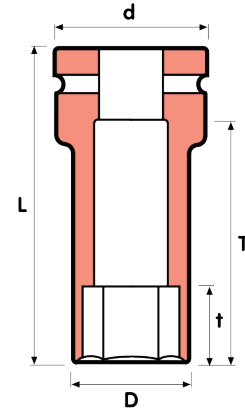
1 1/2" DRIVE SOCKETS




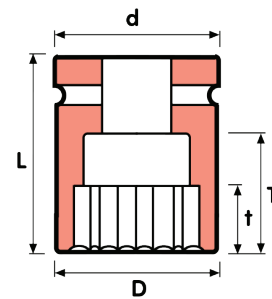
	Part No.	D	d	L	t	T	Wt.
		mm	mm	mm	mm	mm	kg
1 3/16	5-30=1 3/16L	56	84	150	17	108	3.30
1 3/8	5-35=1 3/8L	61	84	150	20	108	3.79
1 1/2	5-38=1 1/2L	65	84	150	24	108	3.86
1 5/8	5-1 5/8L	70	84	150	27	106	3.70
1 11/16	5-43=1 11/16L	73	84	150	27	102	3.90
1 3/4	5-1 3/4L	75	84	150	29	102	3.70
1 13/16	5-46=1 13/16L	77	84	150	29	102	3.90
1 7/8	5-1 7/8L	78	84	150	30	102	3.80
1 15/16	5-1 15/16L	80	84	150	31	102	3.90
2	5-2L	82	84	150	32	102	3.90
2 1/16	5-2 1/16L	83	84	150	33	102	3.90
2 1/8	5-2 1/8L	84	84	150	35	102	4.00
2 3/16	5-2 3/16L	87	86	150	35	102	4.20
2 1/4	5-2 1/4L	90	86	150	36	102	4.40
2 5/16	5-2 5/16L	92	86	150	37	102	4.60
2 3/8	5-2 3/8L	94	86	150	39	102	4.80
2 7/16	5-2 7/16L	96	86	150	40	102	4.80
2 1/2	5-2 1/2L	97	86	150	41	102	4.90
2 9/16	5-65=2 9/16L	99	86	150	41	102	4.90
2 5/8	5-2 5/8L	102	86	170	43	126	6.10
2 11/16	5-2 11/16L	104	86	170	43	126	6.30
2 3/4	5-70=2 3/4L	105	86	170	45	126	6.40
2 13/16	5-2 13/16L	107	86	170	46	126	6.60
2 7/8	5-2 7/8L	110	86	170	46	126	6.80
2 15/16	5-2 15/16L	112	86	170	47	126	6.90
3	5-3L	116	86	170	48	126	7.60
3 1/16	5-3 1/16L	118	86	170	49	126	7.60
3 1/8	5-3 1/8L	119	86	170	51	126	7.60
3 3/16	5-3 3/16L	121	86	180	51	135	9.00
3 1/4	5-3 1/4L	123	86	180	52	135	9.20
3 3/8	5-3 3/8L	125	86	180	54	135	9.40
3 7/16	5-3 7/16L	129	86	180	55	127	9.31
3 1/2	5-3 1/2L	130	86	180	58	135	9.90
3 5/8	5-3 5/8L	136	102	180	58	135	10.300
3 3/4	5-95=3 3/4L	141	102	190	61	143	12.100
3 13/16	5-3 13/16L	142	102	190	61	136	12.420
3 7/8	5-3 7/8L	144	102	190	64	143	12.400
4	5-4L	148	102	190	64	143	12.800
4 1/16	5-4 1/16L	149	102	190	66	133	13.060
4 1/8	5-105=4 1/8L	151	102	190	66	143	13.200
4 3/16	5-4 3/16L	153	102	190	67	143	13.600
4 1/4	5-4 1/4L	155	102	200	70	150	14.700

12PT 1 1/2" DRIVE SOCKETS

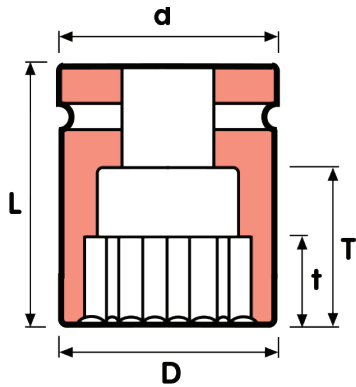
	Part No.	D	d	L	t	T	Wt.
		mm	mm	mm	mm	mm	kg
4 5/16	5-4 5/16L	157	102	200	70	141	14.78
4 3/8	5-4 3/8L	158	102	200	70	141	14.88
4 1/2	5-4 1/2L	163	102	200	72	150	15.10
4 5/8	5-4 5/8L	166	102	200	77	150	15.80
4 3/4	5-4 3/4L	170	102	200	77	138	16.14
4 7/8	5-4 7/8L	173	102	200	77	137	17.84
5	5-5L	178	102	210	77	146	18.93
5 1/8	5-5 1/8L	180	102	210	80	145	18.86
5 3/16	5-5 3/16L	182	102	210	80	145	19.09
5 1/4	5-5 1/4L	185	102	210	80	144	19.66
5 3/8	5-5 3/8L	188	102	210	80	143	20.34
5 1/2	5-5 1/2L	192	102	210	80	142	20.61
5 3/4	5-5 3/4L	199	102	210	85	140	21.42
5 7/8	5-5 7/8L	203	102	210	85	140	22.33
6	5-6L	206	102	210	85	139	22.99



	Part No.	D	d	L	t	T	Wt.
		mm	mm	mm	mm	mm	kg
41	5-D6K41	70	84	84	23	36	2.25
43	5-D6K43=1 11/16	73	84	84	24	36	2.27
46	5-D6K46=1 13/16	76	84	87	25	40	2.32
50	5-D6K50	81	84	90	28	43	2.37
55	5-D6K55	86	86	90	30	47	2.70
60	5-D6K60	94	86	95	35	51	3.10
65	5-D6K65=2 9/16	99	86	100	35	56	3.50
70	5-D6K70=2 3/4	105	86	105	40	61	4.00
75	5-D6K75	112	86	110	42	66	4.60
80	5-D6K80	119	86	110	42	66	5.30
85	5-D6K85	125	86	120	50	75	6.40
90	5-D6K90	131	86	120	50	75	6.70
95	5-D6K95=3 3/4	141	102	130	55	83	8.70
100	5-D6K100	146	102	130	55	83	9.00
105	5-D6K105=4 1/8	151	102	130	55	83	9.40




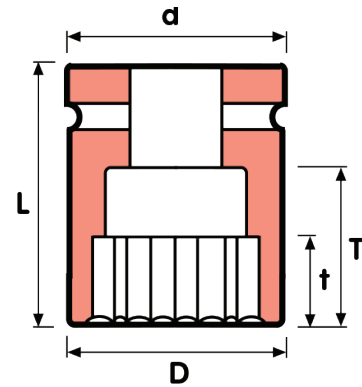
12PT 1 1/2" DRIVE SOCKETS




	Part No.	D	d	L	t	T	Wt.
		mm	mm	mm	mm	mm	kg
1 5/8	5-D6K1 5/8	70	84	84	23	36	2.25
1 11/16	5-D6K43=1 11/16	73	84	84	24	36	2.27
1 3/4	5-D6K1 3/4	75	84	87	25	40	2.40
1 13/16	5-D6K46=1 13/16	76	84	87	25	40	2.32
1 7/8	5-D6K1 7/8	78	84	87	26	40	2.40
1 15/16	5-D6K1 15/16	80	84	90	28	43	2.40
2	5-D6K2	82	84	90	30	43	2.36
2 1/16	5-D6K2 1/16	83	84	90	30	43	2.50
2 1/8	5-D6K2 1/8	84	84	90	30	43	2.29
2 3/16	5-D6K2 3/16	87	86	95	30	51	2.90
2 1/4	5-D6K2 1/4	90	86	95	30	51	2.90
2 5/16	5-D6K2 5/16	92	86	95	30	51	3.00
2 3/8	5-D6K2 3/8	94	86	95	35	51	3.10
2 7/16	5-D6K2 7/16	96	86	100	35	56	3.30
2 1/2	5-D6K2 1/2	97	86	100	35	56	3.30
2 9/16	5-D6K65=2 9/16	99	86	100	35	56	3.50
2 5/8	5-D6K2 5/8	102	86	105	40	61	3.80
2 11/16	5-D6K2 11/16	104	86	105	40	61	3.90
2 3/4	5-D6K70=2 3/4	105	86	105	40	61	4.00
2 13/16	5-D6K2 13/16	107	86	110	42	66	4.20
2 7/8	5-D6K2 7/8	110	86	110	42	66	4.23
2 15/16	5-D6K2 15/16	112	86	110	42	66	4.60
3	5-D6K3	116	86	110	42	66	4.90
3 1/16	5-D6K3 1/16	118	86	110	42	66	5.10
3 1/8	5-D6K3 1/8	119	86	110	42	66	4.79
3 3/16	5-D6K3 3/16	121	86	120	50	75	5.70
3 1/4	5-D6K3 1/4	123	86	120	50	75	6.00
3 3/8	5-D6K3 3/8	125	86	120	50	75	6.20
3 1/2	5-D6K3 1/2	130	86	120	50	75	6.70
3 5/8	5-D6K3 5/8	136	102	120	50	75	7.00
3 3/4	5-D6K95=3 3/4	141	102	130	55	83	8.70
3 7/8	5-D6K3 7/8	144	102	130	55	83	8.15
3 15/16	5-D6K3 15/16	146	102	130	55	83	8.34
4	5-D6K4	148	102	130	55	83	9.10
4 1/8	5-D6K105=4 1/8	151	102	130	55	83	9.40
4 3/16	5-D6K4 3/16	153	102	130	55	83	11.10

12PT 1 1/2" DRIVE SOCKETS

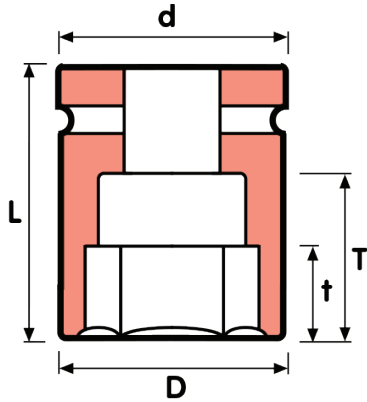
	Part No.	D	d	L	t	T	Wt.
		mm	mm	mm	mm	mm	kg
4 1/4	5-D6K4 1/4	155	102	140	70	92	9.90
4 3/8	5-D6K4 3/8	158	102	140	70	92	10.30
4 1/2	5-D6K4 1/2	163	102	140	72	92	10.80
4 5/8	5-D6K4 5/8	166	102	140	77	90	10.90
4 3/4	5-D6K4 3/4	170	102	140	77	90	11.10
4 7/8	5-D6K4 7/8	173	102	140	77	90	11.50



	Part No.	D	d	L	t	T	Wt.
		mm	mm	mm	mm	mm	kg
5	5-D6K5	178	102	150	77	100	12.30
5 1/8	5-D6K5 1/8	180	102	150	80	100	12.90
5 3/16	5-D6K5 3/16	182	102	150	80	100	13.10
5 1/4	5-D6K5 1/4	185	102	150	80	100	13.40
5 3/8	5-D6K5 3/8	188	102	150	80	100	14.00
5 1/2	5-D6K5 1/2	192	102	150	80	100	15.00
5 9/16	5-D6K5 9/16	193	102	150	80	97	15.90
5 3/4	5-D6K5 3/4	199	102	150	85	97	17.40
5 7/8	5-D6K5 7/8	203	102	150	85	97	18.20
6	5-D6K6	206	102	150	85	97	18.60
6 1/8	5-D6K6 1/8	209	102	150	85	97	19.00



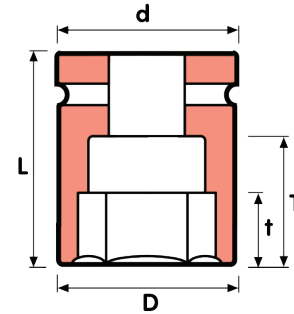
2 1/2" DRIVE IMPACT SOCKETS




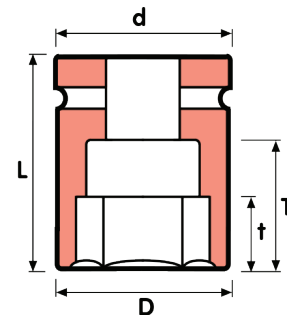
	Part No.	D	d	L	t	T	Wt.
		mm	mm	mm	mm	mm	kg
50	6-50	91	137	130	28	72	9.01
55	6-55	96	137	130	30	72	9.22
60	6-60	100	137	130	35	68	9.30
65	6-65=2 9/16	104	137	130	35	68	9.30
70	6-70=2 3/4	110	137	130	40	68	9.30
75	6-75	118	137	130	45	68	9.31
80	6-80	126	137	130	45	68	9.28
85	6-85	133	137	130	50	68	9.30
90	6-90	143	137	140	50	78	10.55
95	6-95=3 3/4	148	137	140	55	78	10.80
100	6-100	153	137	140	55	78	11.10
105	6-105=4 1/8	158	137	150	60	88	12.10
110	6-110	166	137	150	65	88	13.00
115	6-115	174	137	150	65	88	13.90
120	6-120	181	160	150	70	88	16.90
125	6-125	187	160	150	75	88	17.50
130	6-130	195	160	170	75	106	21.50
135	6-135	202	160	170	80	106	22.50
140	6-140	208	160	170	80	106	23.00
145	6-145	214	160	170	80	106	24.00
150	6-150	219	160	170	85	106	24.50
155	6-155	224	160	180	90	115	29.00
160	6-160	229	160	180	90	115	31.00
165	6-165=6 1/2	235	160	180	95	115	32.00
170	6-170	240	160	180	95	115	32.50
175	6-175	247	160	180	95	115	34.50
180	6-180	253	160	225	110	143	41.40
185	6-185	258	160	225	110	143	42.30
190	6-190	264	160	225	120	143	43.60
200	6-200	276	160	225	120	143	46.60
210	6-210	287	160	225	120	143	49.20
215	6-215	293	160	225	120	143	50.80
225	6-225	304	160	225	120	130	53.30
230	6-230	310	160	225	120	129	54.70
235	6-235	316	160	225	120	143	56.40
250	6-250	333	160	225	120	123	61.20
255	6-255	339	160	225	120	143	63.20

2 1/2" DRIVE IMPACT SOCKETS

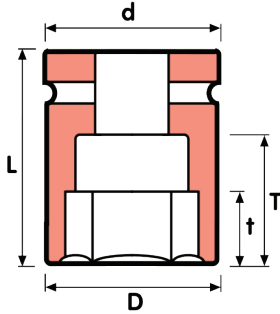
	Part No.	D	d	L	t	T	Wt.
		mm	mm	mm	mm	mm	kg
60	6-60L	100	137	180	35	122	10.70
65	6-65=2 9/16L	104	137	180	35	122	10.68
70	6-70=2 3/4L	110	137	180	40	122	10.88
75	6-75L	118	137	180	45	122	11.24
80	6-80L	126	137	180	45	122	11.88
85	6-85L	133	137	180	50	122	12.27
90	6-90L	143	137	200	50	142	15.22
95	6-95=3 3/4L	148	137	200	55	142	15.64
100	6-100L	153	137	200	55	142	16.02
105	6-105=4 1/8L	158	137	220	60	162	18.21
110	6-110L	166	137	220	65	162	19.81
115	6-115L	174	137	220	65	162	21.38
120	6-120L	181	160	220	70	162	24.79
125	6-125L	187	160	220	75	162	25.90
130	6-130L	195	160	250	75	183	31.44
135	6-135L	202	160	250	80	182	33.17
140	6-140L	208	160	250	80	180	34.40
145	6-145L	214	160	250	80	179	35.64
150	6-150L	219	160	250	85	177	36.30
155	6-155L	224	160	250	90	176	36.90
160	6-160L	229	160	250	90	174	37.60
165	6-165L	235	160	250	95	173	38.74
170	6-170L	240	160	250	95	171	39.42



	Part No.	D	d	L	t	T	Wt.
		mm	mm	mm	mm	mm	kg
2	6-2	92	137	130	30	72	9.00
2 3/16	6-2 3/16	97	137	130	30	72	8.58
2 5/16	6-2 5/16	99	137	130	30	72	8.45
2 3/8	6-2 3/8	100	137	130	35	68	9.30
2 7/16	6-2 7/16	102	137	130	35	68	9.45
2 1/2	6-2 1/2	102	137	130	35	68	9.30
2 9/16	6-65=2 9/16	104	137	130	35	68	9.30
2 5/8	6-2 5/8	106	137	130	40	68	9.30
2 11/16	6-2 11/16	108	137	130	40	68	9.30
2 3/4	6-70=2 3/4	110	137	130	40	68	9.30
2 13/16	6-2 13/16	112	137	130	45	68	9.30
2 7/8	6-2 7/8	116	137	130	45	68	9.30
2 15/16	6-2 15/16	118	137	130	45	68	9.30
3	6-3	120	137	130	45	68	9.30
3 1/16	6-3 1/16	122	137	130	45	68	9.30




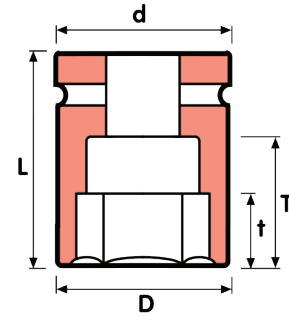
2 1/2" DRIVE IMPACT SOCKETS



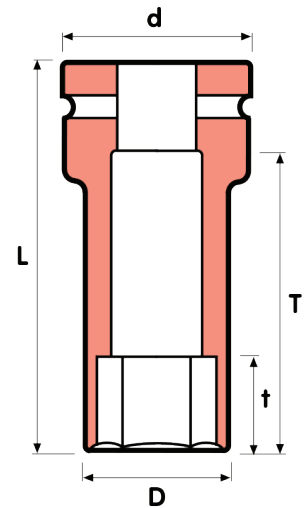
	Part No.	D	d	L	t	T	Wt.
		mm	mm	mm	mm	mm	kg
3 1/8	6-3 1/8	126	137	130	45	68	9.30
3 1/4	6-3 1/4	128	137	130	50	68	9.30
3 5/16	6-3 5/16	132	137	130	50	72	9.58
3 3/8	6-3 3/8	133	137	130	50	68	9.30
3 1/2	6-3 1/2	142	137	140	50	78	10.40
3 9/16	6-3 9/16	143	137	140	50	82	10.50
3 5/8	6-3 5/8	145	137	140	55	78	10.60
3 3/4	6-95=3 3/4	148	137	140	55	78	10.80
3 7/8	6-3 7/8	151	137	140	55	78	11.00
4	6-4	155	137	140	60	78	11.30
4 1/8	6-105=4 1/8	158	137	150	60	88	12.10
4 3/16	6-4 3/16	160	137	150	65	88	12.40
4 1/4	6-4 1/4	163	137	150	65	88	12.80
4 3/8	6-4 3/8	167	137	150	65	88	13.30
4 1/2	6-4 1/2	172	137	150	65	88	13.60
4 9/16	6-4 9/16	176	160	150	70	92	16.45
4 5/8	6-4 5/8	178	160	150	70	88	15.20
4 3/4	6-4 3/4	181	160	150	70	88	16.90
4 7/8	6-4 7/8	186	160	150	75	88	17.30
5	6-5	190	160	170	75	106	21.50
5 1/8	6-5 1/8	195	160	170	75	106	22.00
5 3/16	6-5 3/16	198	160	170	80	106	22.00
5 1/4	6-5 1/4	200	160	170	80	106	22.50
5 3/8	6-5 3/8	204	160	170	80	106	23.00
5 1/2	6-5 1/2	208	160	170	80	106	23.00
5 9/16	6-5 9/16	210	160	170	80	106	24.00
5 3/4	6-5 3/4	216	160	170	85	106	25.00
5 7/8	6-5 7/8	219	160	170	85	106	26.00
6	6-6	221	160	180	85	115	30.00
6 1/8	6-6 1/8	224	160	180	90	115	30.00
6 1/4	6-6 1/4	228	160	180	90	115	30.50
6 3/8	6-6 3/8	232	160	180	90	115	31.00
6 1/2	6-165=6 1/2	235	160	180	95	115	32.00
6 3/4	6-6 3/4	243	160	180	95	115	33.00
6 7/8	6-6 7/8	247	160	180	95	115	33.50
7	6-7	250	160	180	95	115	35.50
7 1/8	6-7 1/8	253	160	225	110	143	46.00
7 1/4	6-7 1/4	258	160	225	110	143	47.00

2 1/2" DRIVE IMPACT SOCKETS

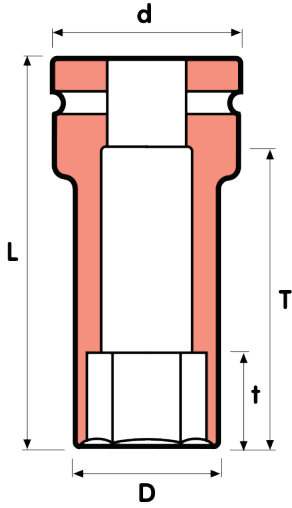
	Part No.	D	d	L	t	T	Wt.
		mm	mm	mm	mm	mm	kg
7 5/16	6-7 5/16	260	160	225	120	143	47.50
7 1/2	6-7 1/2	264	160	225	120	143	48.00
7 5/8	6-7 5/8	269	160	225	120	143	49.00
7 13/16	6-7 13/16	273	160	225	120	143	49.50
8 3/8	6-8 3/8	291	160	225	120	143	58.5
8 7/16	6-8 7/8	304	160	225	120	143	62.00
9 1/8	6-9 1/8	312	160	225	120	143	65.00
9 7/16	6-9 7/16	322	160	225	120	143	68.5
10	6-10	338	160	225	120	143	70.00




	Part No.	D	d	L	t	T	Wt.
		mm	mm	mm	mm	mm	kg
2 3/8	6-2 3/8L	100	137	180	35	122	10.7
2 7/16	6-2 7/16L	102	137	180	35	122	10.73
2 1/2	6-2 1/2L	102	137	180	35	122	10.64
2 9/16	6-65=2 9/16L	104	137	180	35	122	10.68
2 5/8	6-2 5/8L	106	137	180	40	122	10.7
2 11/16	6-2 11/16L	108	137	180	40	122	10.83
2 3/4	6-70=2 3/4L	110	137	180	40	122	10.88
2 13/16	6-2 13/16L	112	137	180	45	122	11.00
2 7/8	6-2 7/8L	116	137	180	45	122	11.36
2 15/16	6-2 15/16L	118	137	180	45	122	11.24
3	6-3L	120	137	180	45	122	11.51
3 1/16	6-3 1/16L	122	137	180	45	122	11.68
3 1/8	6-3 1/8L	126	137	180	45	122	11.88
3 1/4	6-3 1/4L	128	137	180	50	122	11.9
3 3/8	6-3 3/8L	133	137	180	50	122	12.27
3 1/2	6-3 1/2L	142	137	200	50	142	15.12
3 5/8	6-3 5/8L	145	137	200	55	142	15.39
3 3/4	6-95=3 3/4L	148	137	200	55	142	15.64
3 7/8	6-3 7/8L	151	137	200	55	142	15.96
4	6-4L	155	137	200	60	142	16.31
4 1/8	6-105=4 1/8L	158	137	220	60	162	18.21
4 3/16	6-4 3/16L	160	137	220	65	162	18.7



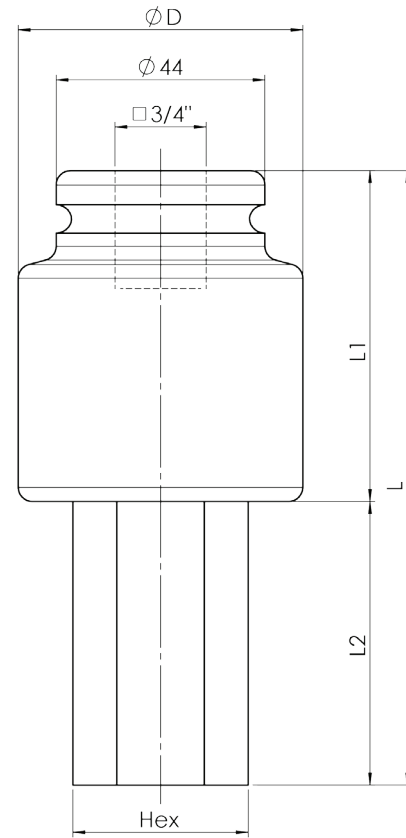
2 1/2" DRIVE IMPACT SOCKETS



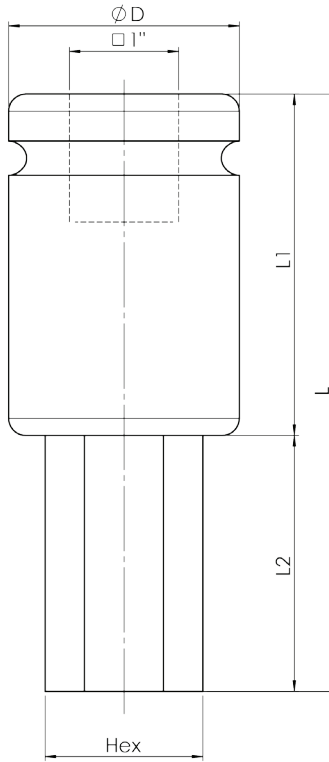
	Part No.	D	d	L	t	T	Wt.
		mm	mm	mm	mm	mm	kg
4 1/4	6-4 1/4L	163	137	220	65	162	19.24
4 3/8	6-4 3/8L	167	137	220	65	162	19.9
4 1/2	6-4 1/2L	172	137	220	65	162	20.92
4 5/8	6-4 5/8L	178	160	220	70	162	24.28
4 3/4	6-4 3/4L	181	160	220	70	162	24.79
4 7/8	6-4 7/8L	186	160	220	75	162	25.77
5	6-5L	190	160	250	75	184	30.19
5 1/8	6-5 1/8L	195	160	250	75	183	31.44
5 3/16	6-5 3/16L	198	160	250	80	183	32.25
5 1/4	6-5 1/4L	200	160	250	80	182	32.88
5 3/8	6-5 3/8L	204	160	250	80	181	33.47
5 1/2	6-5 1/2L	208	160	250	80	180	34.4
5 3/4	6-5 3/4L	216	160	250	85	178	36.00
5 7/8	6-5 7/8L	219	160	250	85	178	36.3
6	6-6L	221	160	250	85	177	36.68
6 1/8	6-6 1/8L	224	160	250	90	176	36.90
6 1/4	6-6 1/4L	228	160	250	90	175	38.30
6 3/8	6-6 3/8L	232	160	250	90	174	38.74
6 1/2	6-6 1/2L	235	160	250	95	173	38.74
6 3/4	6-6 3/4L	243	160	250	95	171	41.37
6 7/8	6-6 7/8L	247	160	250	95	170	42.44
7	6-7L	250	160	250	95	170	42.94

3/4" MALE DRIVE SOCKETS

HEX	D	L1	L2	L
1/2"	44	70	26	96
13	44	70	26	96
14	44	70	28	98
9/16"	44	70	28	98
15	44	70	30	100
5/8"	44	70	32	102
16	44	70	32	102
17	44	70	34	104
11/16"	44	70	35	105
18	44	70	36	106
19	44	70	38	108
3/4"	44	70	38	108
20	44	70	40	110
21	44	70	42	112
22	44	70	44	114
7/8"	44	70	44	114
15/16"	48	70	48	118
24	48	70	50	118
1"	49	70	54	120
27	53	70	58	124
1 1/18"	54	70	60	128
30	56	70	64	130
1 1/4"	57	70	64	134
32	58	70	64	134
1 3/8"	62	70	70	140
36	63	70	72	142
38	65	70	76	146
1 1/2"	65	70	76	146
41	68	70	82	152
46	73	70	92	162
50	77	80	100	180
2"	79	80	102	182
55	82	80	110	190



1" MALE DRIVE SOCKETS



HEX	D	L1	L2	L	HEX	D	L1	L2	L
5/16"	54	75	15	90	1 1/8"	54	80	57	137
3/8"	54	75	18	93	29	54	80	58	138
10	54	75	20	95	30	54	85	60	145
12	54	75	24	99	1 3/16"	54	85	63	148
1/2"	54	75	25	100	1 1/4"	54	85	63	148
14	54	75	28	103	32	54	85	64	149
9/16"	54	75	28	103	1 5/16"	56	85	72	157
5/8"	54	75	32	107	34	56	85	72	157
17	54	75	34	109	1 3/8"	56	85	72	157
11/16"	54	75	35	110	36	57	85	72	157
19	54	75	38	113	38	62	85	76	161
3/4"	54	75	38	113	1 1/2"	62	85	76	161
13/16"	54	75	42	117	1 9/16"	68	90	80	170
21	54	75	42	117	41	70	90	83	173
22	54	75	44	119	1 5/8"	70	90	83	173
7/8"	54	75	44	119	42	70	90	84	174
23	54	80	46	126	1 11/16"	71	90	86	176
15/16"	54	80	48	128	1 3/4"	72	90	89	179
24	54	80	48	128	46	73	90	92	182
1"	54	80	51	131	1 13/16"	73	90	92	182
26	54	80	52	132	1 7/8"	78	90	96	186
1 1/16"	54	80	54	134	50	80	90	100	190
27	54	80	54	134	55	88	90	110	200
28	54	80	57	137					

INCH - MILLIMETER CONVERSION CHART

INCH - MILLIMETER									
"		0"	1"	2"	3"	4"	5"	6"	7"
1/32	1/10000	mm	mm	mm	mm	mm	mm	mm	mm
			25.3995	50.7990	76.1986	101.598	126.998	152.397	177.797
1/32	0.0313	0.7937	26.1932	51.5928	76.9923	102.391	127.791	153.190	178.590
1/16	0.0625	1.5874	26.9870	52.3865	77.7860	103.185	128.585	153.984	179.384
3/32	0.0938	2.3812	27.7807	53.1802	78.5798	103.979	129.378	154.788	180.177
1/8	0.125	3.1749	28.5744	53.9740	79.3735	104.773	130.172	155.572	180.971
5/32	0.1563	3.9686	29.3682	54.7677	80.1672	105.566	130.966	156.365	181.765
3/16	0.1875	4.7624	30.1619	55.5614	80.9610	106.360	131.760	157.159	182.559
7/32	0.2188	5.5561	30.9556	56.3552	81.7547	107.154	132.553	157.953	183.352
1/4	0.25	6.3498	31.7494	57.1489	82.5485	107.948	133.347	158.747	184.146
9/32	0.2813	7.1436	32.5431	57.9426	83.3422	108.741	134.141	159.540	184.940
5/16	0.3125	7.9373	33.3368	58.7364	84.1359	109.535	134.935	160.335	185.734
11/32	0.3438	8.7310	34.1306	59.5301	84.9297	110.329	135.728	161.128	186.527
3/8	0.375	9.5248	34.9243	60.3239	85.7234	111.122	136.522	161.922	187.321
13/32	0.4063	10.3185	35.7180	61.1176	86.5171	111.916	137.316	162.715	188.115
7/16	0.4375	11.1122	36.5118	61.9113	87.3109	112.710	138.109	163.509	188.909
15/32	0.4688	11.9060	37.3055	62.7051	88.1046	113.504	138.903	164.303	189.702
1/2	0.5	12.6997	38.0993	63.4988	88.8983	114.297	139.697	165.097	190.496
17/32	0.5313	13.4934	38.8930	64.2925	89.6921	115.091	140.491	165.890	191.290
9/16	0.5625	14.2872	39.6867	65.0863	90.4858	115.885	141.284	166.684	192.084
19/32	0.5938	15.0809	40.4805	65.8800	91.2795	116.679	142.078	167.478	192.877
5/8	0.625	15.8747	41.2742	66.6737	92.0733	117.472	142.872	168.271	193.671
21/32	0.6563	16.6684	42.0679	67.4675	92.8670	118.266	143.666	169.065	194.465
11/16	0.6875	17.4621	42.8617	68.2612	93.6608	119.060	144.459	169.859	195.258
23/32	0.7188	18.2559	43.6554	69.0549	94.4545	119.854	145.253	170.653	196.052
3/4	0.75	19.0496	44.4491	69.8487	95.2482	120.647	146.047	171.446	196.846
25/32	0.7813	19.8433	45.2429	70.6424	96.0419	121.441	146.841	172.240	197.640
13/16	0.8125	20.6371	46.0366	71.4362	96.8357	122.235	147.634	173.034	198.433
27/32	0.8438	21.4308	46.8303	72.2299	97.6294	123.029	148.428	173.828	199.227
7/8	0.875	22.2245	47.6241	73.0236	98.4232	123.822	149.222	174.621	200.021
29/32	0.9063	23.0183	48.4178	73.8173	99.2169	124.616	150.016	175.415	200.815
15/16	0.9375	23.8120	49.2116	74.6111	100.011	125.410	150.809	176.209	201.608
31/32	0.9688	24.6057	50.0053	75.4048	100.804	126.203	151.603	177.003	202.402

BOLT LOAD CHART

BOLT		NUT AF		BOLT LOAD		TORQUE	
DIAMETER		SOCKET SIZE		Lbs.	NEWTON	Ft. lbs.	NM
7/8"	M24	1-7/16"	36mm	25.198	112.091	280	380
1"	M27	1-5/8"	41mm	33.057	147.051	410	560
1 1/8"	M30	1-13/16"	46mm	43.137	191.891	610	830
1 1/4"	M33	2"	50mm	54.556	242.687	850	1.150
1 3/8"	M36	2-3/16"	55mm	67.315	299.444	1.160	1.570
1 1/2 "	M39	2-3/8"	60mm	81.413	362.157	1.530	2.070
1 5/8"	M42	2-9/16"	85mm	96.851	430.832	1.970	2.670
1 3/4"	M45	2-3/4"	70mm	113.628	505.463	2.490	3.380
1 7/8 "	M48	2-15/16"	75mm	131.744	586.050	3.090	4.190
2"	M52	3-1/8"	80mm	151.200	672.598	3.780	5.120
2 1/4"	M56	3-1/2"	85mm	194.130	863.568	5.460	7.400
2 1/2"	M64	3-7/8"	95mm	242.417	1.078.367	7.580	10.280
2 3/4"	M72	4-1/4"	105mm	267.866	1.191.575	9.210	12.490
3"	M80	4-5/8"	115mm	321.249	1.429.144	12.050	16.340
3 1/4 "	M85	5"	120mm	379.480	1.688.078	15.420	20.903
3 1/2"	M90	5-3/8"	130mm	442.558	1.968.674	49.360	26.244
3 3/4"	M100	5-3/4"	145mm	510.484	2.270.836	23.930	32.440

The 10 COMMANDMENTS of SOCKET SAFETY

1. Always use the strongest premium impact sockets
2. Always use the strongest socket for the job
3. Always use the correct size socket
4. Always react in-line with the Nut
5. Always take special care with extensions and adapters
6. Always pin the socket to the drive
7. Never use a cut-down or modified socket
8. Never strike a socket under load
9. Always avoid the danger zones
10. Always inspect every socket before use

HYTORC CUSTOMER SERVICE POLICY

WITH THE PURCHASE OF HYTORC TORQUE MACHINES (PAST, PRESENT, FUTURE) YOU HAVE OBTAINED THE LATEST TECHNOLOGY AND LIFETIME, WORLDWIDE LOCAL SERVICE.

FREE SERVICES

- ◆ **FREE** User Safety Training upon Receipt of Merchandise
- ◆ **FREE** Semi-Annual User Safety Training on Request
- ◆ **FREE** Annual Safety Seminar on Appointment
- ◆ **FREE** Loaner Tools in case of Product Failure within 24 Hours
- ◆ **FREE** Torque/Tension Consultation/Seminar
- ◆ **FREE** Half Day, First Use Supervision
- ◆ **FREE** Annual Product Inspection on Request
- ◆ **FREE** Product Demonstrations
- ◆ **FREE** 12 Month No-Questions-Asked Warranty
- ◆ **FREE** 5 Year Tool Housing Warranty
- ◆ **FREE** Upgrades during the Lifetime of the Tool to Enhance Safety, Durability, and Function (*Above services are NOT subject to travel expense charges*)

REPAIRS

- All Repairs are Guaranteed for 6 Months
- Repairs are Subject to Labor and Part Cost, as Outlined in the Official HYTORC Price List
- All Warranty Repairs are FREE of All Charges Including Return-Freight
- All Repairs Will be Tested and Calibrated to Ensure the Highest Quality Repairs

TOOL RENTALS

- 100% of all Rental Fees will be Applied if Rental is Paid in 30 days
- User Training for First Time Rentals is FREE of All Cost
- Return Freight Charges are FREE
- Rental Tools are Guaranteed to Perform and are Subject to the FREE Loaner Tool Policy of HYTORC

TOTAL SATISFACTION GUARANTEED 1-800-FOR-HYTORC

FIND US ONLINE AT



hytorc.com



facebook.com/hytorc



twitter.com/hytorc



youtube.com/hytorcnj

Being #1 is no coincidence!

Worldwide Warranty. Service & Expertise!

Find your nearest HYTORC at
www.hytorc.com/worldwide

CALL: 1-800-FOR-HYTORC



HYTORC[®]

Since 1968

The World's Most Trusted Industrial Bolting Systems

Division UNEX Corporation

333 State Route 17N. Mahwah. New Jersey 07430 U.S.A.

800-FOR-HYTORC • Tel: 201-512-9500 • E-Mail: info@hytorc.com • Web: www.hytorc.com