



VERSA® Hydraulic Torque Wrench

For general maintenance that requires high torque values and repeatable results, the VERSA has a straight-forward three-moving-part design was created by HYTORC over 30 years ago and has been consistently improved upon resulting in the most tried and tested line of hydraulic torque wrenches in the world.

SIMPLE OPERATION

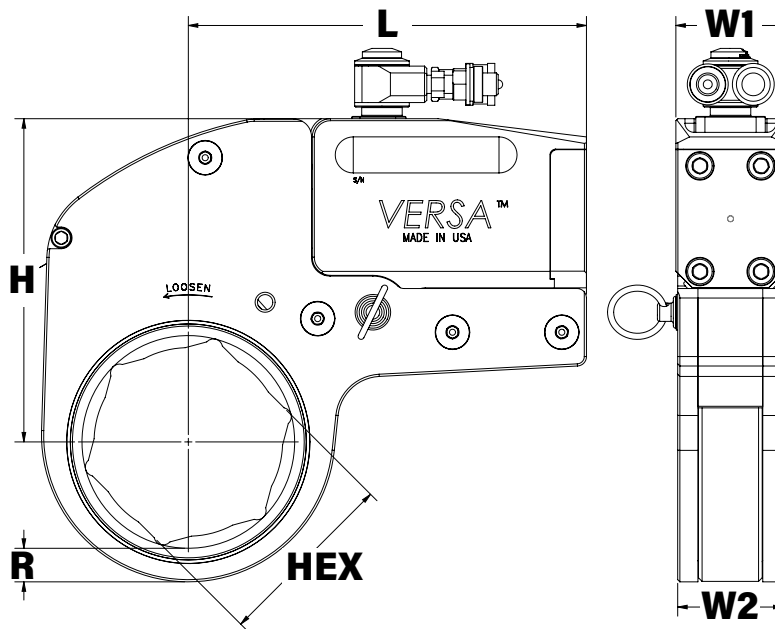


The three-moving part design of the VERSA reduces the number of potential repairs and keeps operating costs to a minimum.

SLIM LINK AND PROFILE



When overhead clearance or space around the nut is extremely limited, HYTORC offers the VERSA Slim Link; a hex link so thin there's almost no job it can't handle. The VERSA is the most economical solution with a continuous-profile design throughout the powerhead and hex link.



LEGEND: H = HEIGHT W1 = WIDTH OF POWERHEAD W2 = WIDTH OF LINK L = LENGTH R = DISTANCE FROM HEX CORNER

MODEL NUMBER	H	W1	W2	L	R	WEIGHT	TORQUE	
IMPERIAL	in.					lbs.	ft-lbs (Min)	ft-lbs (Max)
VERSA - 1	3.42	1.06	0.94	4.23	0.32	2.80	150	1,050
VERSA - 2	3.73	1.25	1.13	5.35	0.38	3.25	261	1,920
VERSA - 4	5.52	1.67	1.51	7.07	0.51	7.35	654	4,503
VERSA - 8	6.53	2.10	1.89	8.60	0.64	11.85	1,350	9,000
VERSA - 14	8.03	2.50	2.36	10.52	0.73	19.25	2,148	14,832
VERSA - 20	8.87	3.00	2.89	10.93	0.92	24.43	3,088	21,458
VERSA - 30	10.95	3.75	3.00	13.89	1.00	46.71	5,100	36,200
METRIC	mm					kg	Nm (Min)	Nm (Max)
VERSA - 1	87	27	24	107	8	1.27	203	1423
VERSA - 2	95	32	29	136	10	1.48	354	2602
VERSA - 4	140	42	38	180	13	3.34	886	6102
VERSA - 8	166	53	48	218	16	5.39	1829	12195
VERSA - 14	204	64	60	267	19	8.75	2911	20098
VERSA - 20	225	76	73	278	23	11.10	4184	29076
VERSA - 30	278	95	76	353	25	21.23	6911	49051

The World's Most Trusted Industrial Bolting Systems



Headquarters:
333 Route 17 N., Mahwah, NJ 07430
+1-201-512-9500

Email:
info@hytorc.com

Phone:
1-800-FOR-HYTORC

Online:
hytorc.com