



## MXT® Hydraulic Torque Wrench

The MXT is the world's best-selling industrial bolting system with over one hundred thousand in use around the world. Since 1990, the signature blue housing has represented quality, durability, and reliability on job sites in every major industry. From the tallest roller coasters to the world's largest bridges, the MXT has the power to get the job done.

### LOCK-UP RELEASE



The MXT was the first tool in the industry to feature a release lever that allows you to release the tool if it locks on the application. (Also found on the AVANTI).

### NO-SLIP RATCHET

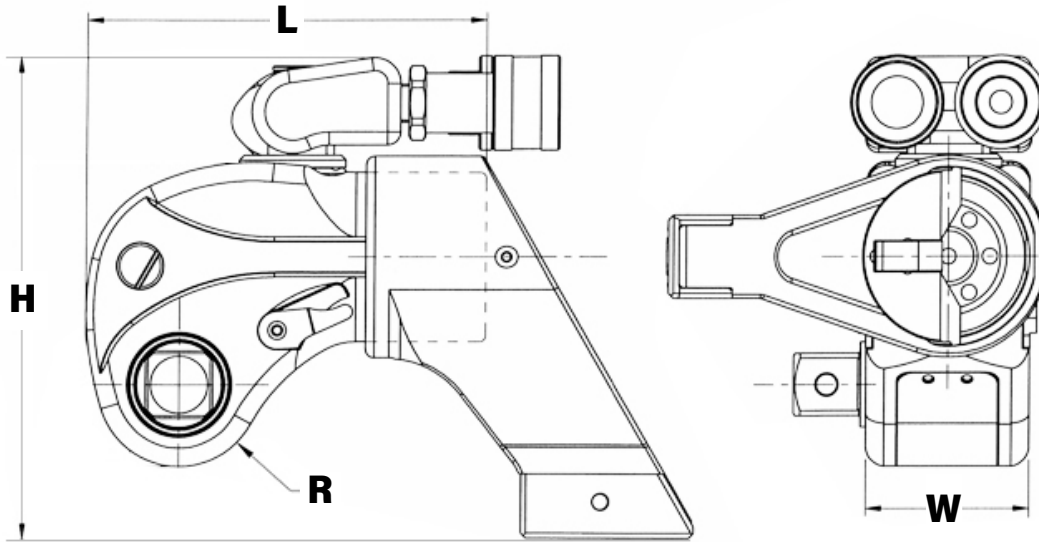


The MXT pioneered this new system for more powerful breakout and faster tightening. The secondary pawl inside the tool prevents the ratchet from turning opposite of the direction it is being driven.

### SPECIAL ALLOY OPTION



The MXT-SA provides the proven reliability of the MXT design with advanced materials used to increase lifespan further for extreme usage. The MXT-SA tools come with a 5-year, no-questions-asked warranty.



LEGEND: H = HEIGHT W = WIDTH L = LENGTH R = RADIUS

MODEL NUMBER	H	W	L	R	SQUARE DRIVE	WEIGHT	TORQUE	
IMPERIAL	in.					lbs.	ft-lbs (Min)	ft-lbs (Max)
MXT - .7	4.25	1.62	3.96	0.81	0.75	2.69	118	822
MXT - 1	4.90	1.97	4.88	0.98	0.75	3.95	200	1,340
MXT - 3	6.12	2.63	6.34	1.31	1.00	8.29	480	3,230
MXT - 5	7.22	3.16	7.61	1.57	1.50	14.20	835	5,590
MXT - 10	8.80	3.95	9.51	1.96	1.50	24.80	1,755	11,520
MXT - 15	9.67	4.38	10.55	2.18	2.50	36.00	2,268	15,399
MXT - 20	10.24	4.73	11.41	2.36	2.50	43.40	2,960	19,760
MXT - 35	12.42	5.82	14.03	2.90	2.50	77.45	5,400	37,100
METRIC	mm					kg	Nm (Min)	Nm (Max)
MXT - .7	108	41	101	21	19	1.22	160	1114
MXT - 1	124	50	124	25	19	1.80	271	1816
MXT - 3	155	67	161	33	25	3.77	650	4377
MXT - 5	183	80	193	40	38	6.45	1131	7575
MXT - 10	224	100	242	50	38	11.27	2378	15610
MXT - 15	246	111	268	55	64	16.36	3073	20866
MXT - 20	260	120	290	60	64	19.73	4011	26775
MXT - 35	315	148	356	74	64	35.20	7317	50271

The World's Most Trusted Industrial Bolting Systems



**Headquarters:**  
333 Route 17 N., Mahwah, NJ 07430  
+1-201-512-9500

**Email:**  
info@hytorc.com

**Phone:**  
1-800-FOR-HYTORC

**Online:**  
hytorc.com