



LION Gun

The LION Gun is the world's first affordable precision bolting system with built-in data recording. Set your desired torque output on the LION Gun's display and pull the trigger to get precise, repeatable torque without excessive noise or vibration.

Industrial-Grade Power



The LION Gun's industrial-strength gear box is driven by a brushless DC motor connected to a non-impacting gearbox to deliver torque faster, smoother and more reliably than manual clicker wrenches, impact wrenches and other tightening tools.

Unmatched Portability



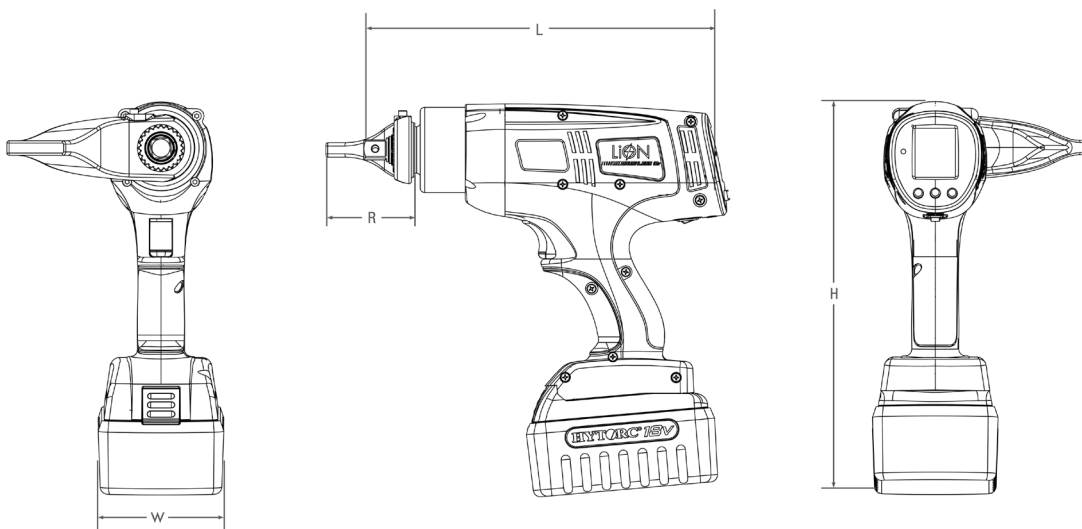
Through the use of aerospace-grade alloys, the LION Gun packs tremendous power without the weight. The 18-Volt lithium-ion battery provides long lasting operation with a quick recharge time to keep the job going.

Data Recording



Built-in data recording capability allows the user to maintain a log of all completed bolting jobs. For improved quality control and accountability, the information can be saved to a PC or tablet to provide a permanent record of the work performed.

Technical Data



Model	H (Inch)	W (Inch)	L (Inch)	D (Inch)	Drive (Inch)	Weight (Lbs)	Torque (ft-lbs)	
							MIN.	MAX.
LION-.25	10.83	3.46	10.16	2.35	1/2	7.30	25	250
LION-.7	10.83	3.46	10.80	2.38	3/4	8.22	150	700

Contact Information

333 RT. 17 North
Mahwah, NJ 07430

1-800-FOR-HYTORC
www.hytorc.com

HYTORC
Since 1968